



CARBON STEEL ANSI 150 FLANGED BALL VALVE WITH PNEUMATIC ACTUATOR

Fire Safe & Anti-static – API607 / BS6755
Full Bore Flanged Ball Valve

Materials

Body	1.4408
Ball	1.4408
Stem Seal	PTFE
Ball Seal	PTFE

Double Acting

Article no.	Size
724504DA	1/2"
724505DA	3/4"
724506DA	1"
724508DA	1 1/2"
724510DA	2"
724514DA	3"
724518DA	4"
724520DA	6"
724521DA	8"

ANSI 300 - ON REQUEST

Spring Return

Article no.	Size
724504SR	1/2"
724505SR	3/4"
724506SR	1"
724508SR	1 1/2"
724510SR	2"
724514SR	3"
724518SR	4"
724520SR	6"
724521SR	8"

ANSI 300 - ON REQUEST

Additional cost for actuators supplied fitted with:



Limit Switch Box page 28

Article no.	
SWBOX	IP67 Standard
SWBOXP	Proximity Switches
SWBOXIS	Intrinsically Safe Box
SWBOXEX	Explosion Proof

Namur Pilot Solenoid Valve page 29



Article no.	Suffix * with
55100229*	A - 220V AC
	B - 110V AC
	D - 24V DC

Intrinsically Safe & Explosion Proof also available

PD100 Smart Valve Positioner page 30



Article no.	
420100	

- 4-20mA input signal & Auto calibration
- Local user interface & LCD display
- Optional features available

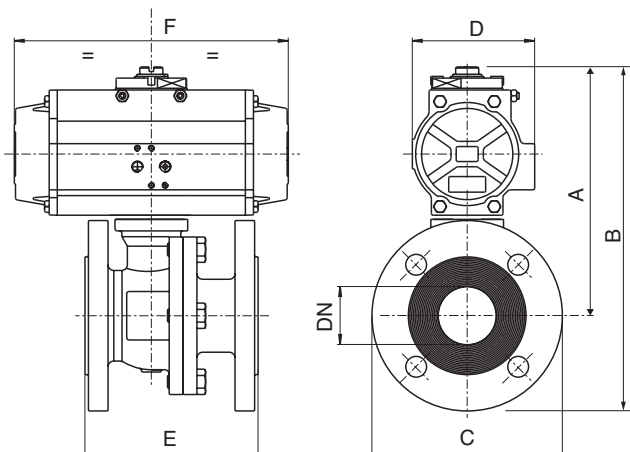
IP67 Inductive Proximity Switch page 31



Article no.	
IPSFIT	

- inductive sensor included (555602)
- target puck included (555422)

Optional 2mtr cable with M12 connector
 ECV001



Overall Dimensions - Double Acting

DN	1/2"	3/4"	1"	1 1/2"	2"	2 1/2"	3"	4"	6"	8"
A	136	156	162	196	202	232	257	312	410	483
B	184	206	217	259	277	322	352	427	550	656
C	90	100	110	125	150	180	190	230	280	345
D	60	73	73	85	85	98	110	128	160	175
E	108	117	127	165	178	190	203	229	394	457
F	142	155	155	213	213	236	276	310	388	468
ACT.	AP1	AP2	AP2	AP3	AP3	AP3.5	AP4	AP4.5	AP5.5	AP6

Overall Dimensions - Spring Return

DN	1/2"	3/4"	1"	1 1/2"	2"	2 1/2"	3"	4"	6"	8"
A	152	156	179	196	212	274	284	325	504	553
B	197	206	234	259	287	364	379	440	644	726
C	90	100	110	125	150	180	190	230	280	345
D	73	73	85	85	98	128	128	140	215	215
E	108	117	127	165	178	190	203	229	394	457
F	155	155	213	213	236	310	310	366	563	563
ACT.	AP2	AP2	AP3	AP3	AP3.5	AP4.5	AP4.5	AP5	AP8	AP8