



# STAINLESS STEEL 3 WAY BALL VALVE 'L' BORE WITH PNEUMATIC ACTUATOR

**1/4" - 1" 1,000 PSI Rated**

**1 1/4" - 2" 800 PSI Rated**

## Materials

Body	CF8M - 316 S/S
Ball	316 S/S
Stem Seal	PTFE
Ball Seal	PTFE

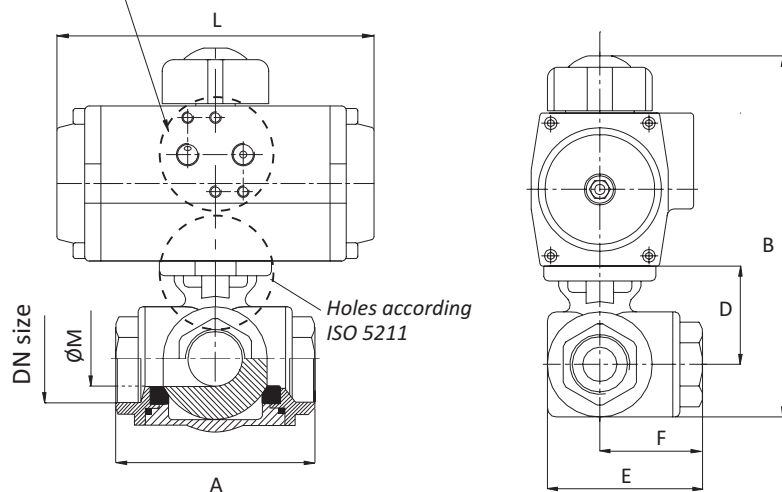
## Double Acting

Article no.	Size
77002702	1/4"
77002703	3/8"
77002704	1/2"
77002705	3/4"
77002706	1"
77002707	1 1/4"
77002708	1 1/2"
77002710	2"

## Spring Return

Article no.	Size
77002902	1/4"
77002903	3/8"
77002904	1/2"
77002905	3/4"
77002906	1"
77002907	1 1/4"
77002908	1 1/2"
77002910	2"

"NAMUR" connection for solenoid valve



**Additional cost for actuators supplied fitted with:**



**Limit Switch Box** page 28

Article no.	
SWBOX	IP67 Standard
SWBOXP	Proximity Switches
SWBOXIS	Intrinsically Safe Box
SWBOXEX	Explosion Proof

**Namur Pilot Solenoid Valve** page 29



Article no.	
55100229*	Suffix * with A - 220V AC B - 110V AC D - 24V DC

Intrinsically Safe & Explosion Proof also available

**PD100 Smart Valve Positioner** page 30



Article no.	
420100	

- 4-20mA input signal & Auto calibration
- Local user interface & LCD display
- Optional features available

**IP67 Inductive Proximity Switch** page 31



Article no.	
IPSFIT	

- inductive sensor included (555602)
- target puck included (555422)

**Optional 2mtr cable with M12 connector**  
ECV001

## Overall Dimensions - Double Acting

Dia Size	Model	A	B	D	E	F	L	ØM	Weight Kg.
1/4"	AP1-DA	72	152.6	42	61.46	36	137	11	1.9
3/8"	AP1-DA	72	152.6	42	61.46	36	137	11	1.87
1/2"	AP1-DA	72	152.6	42	61.46	36	127	11	1.82
3/4"	AP2-DA	83	178	46.5	73.63	41.5	150	16	2.67
1"	AP2-DA	110	192.9	55	84.30	55	150	20	3.28
1 1/4"	AP3-DA	125	204.8	62.5	95.39	62.5	204	25	4.04
1 1/2"	AP3-DA	125	243	74	106.2	62.5	204	32	6.41
2"	AP3.5-DA	149	276	88.3	126.2	75	271	38.1	11.61

## Overall Dimensions - Spring Return

Dia Size	Model	A	B	D	E	F	L	ØM	Weight Kg.
1/4"	AP2-SR	75	168.6	42	61.46	36	150	11	2.6
3/8"	AP2-SR	75	168.6	42	61.46	36	150	11	2.57
1/2"	AP2-SR	75	168.6	42	61.46	36	150	12.7	2.52
3/4"	AP3-SR	86	195	46.5	73.63	41.5	204	16	4.43
1"	AP3-SR	110	209.9	55	84.30	55	204	20	5.04
1 1/4"	AP3.5-SR	125	221.8	62.5	95.39	62.5	230	25	5.8
1 1/2"	AP4-SR	125	253	74	106.2	62.5	271	32	8.52
2"	AP4.5-SR	149	313	88.3	126.2	75	305	38.1	15.53