



# BRASS 3 WAY BALL VALVE L & T BORE WITH PNEUMATIC ACTUATOR DOUBLE ACTING

**30 - 10 BAR Rated**

## Materials & Temp.

Body	Brass Nickel Plated
Ball	Chromed Brass
Stem Seal	VITON
Ball Seal	PTFE
Temp. Range	-20°C to 120°C
* For temperatures above 80°C working pressures are reduced	

## Double Acting

Article no. L Bore	Article no. T Bore	Size	Max Pressure BAR
77003002	77003202	1/4"	30
77003003	77003203	3/8"	30
77003004	77003204	1/2"	30
77003005	77003205	3/4"	30
77003006	77003206	1"	16
77003007	77003207	1 1/4"	10
77003008	77003208	1 1/2"	10
77003010	77003210	2"	10

## Additional cost for actuators supplied fitted with:



### Limit Switch Box page 28

Article no.	
SWBOX	IP67 Standard
SWBOXP	Proximity Switches
SWBOXIS	Intrinsically Safe Box
SWBOXEX	Explosion Proof

### Namur Pilot Solenoid Valve page 29



Article no.	Suffix * with
55100229*	A - 220V AC
	B - 110V AC
	D - 24V DC

Intrinsically Safe & Explosion Proof also available

### PD100 Smart Valve Positioner page 30



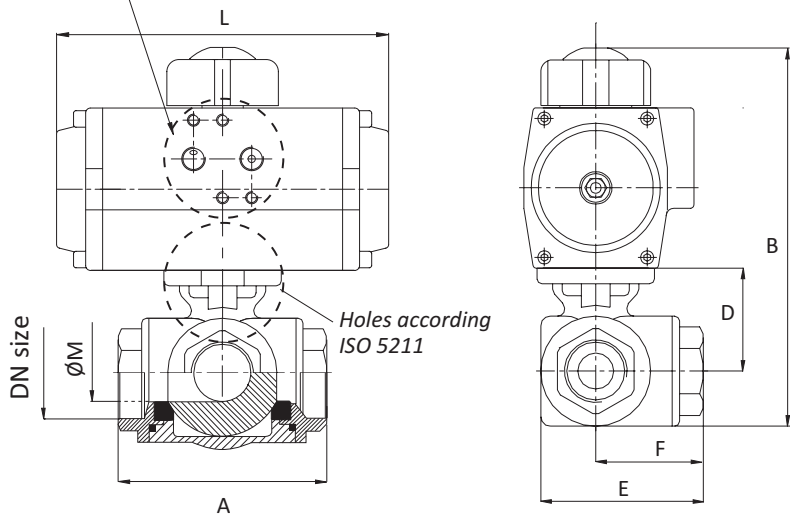
Article no.	
420100	
- 4-20mA input signal & Auto calibration	
- Local user interface & LCD display	
- Optional features available	

### IP67 Inductive Proximity Switch page 31



Article no.	
IPSFIT	
- inductive sensor included (555602)	
- target puck included (555422)	
Optional 2mtr cable with M12 connector	
ECV001	

"NAMUR" connection for solenoid valve



Size	Model	A	B	D	E	F	L	ØM	Weight
ins									Kg
1/4"	AP0-DA	67	117.5	30.5	53	33.5	110	11	1.14
3/8"	AP0-DA	67	117.5	30.5	53	33.5	110	11	1.11
1/2"	AP0-DA	77	144.2	32.7	60.5	38.5	110	15	1.81
3/4"	AP1-DA	87	173.5	41.5	68	43.5	130	20	2.74
1"	AP1-DA	105	185	47	82.3	52.5	130	25	3.43
1 1/4"	AP2-DA	122.5	203.5	59.5	99.1	61.3	150	32	4.43
1 1/2"	AP2-DA	138.5	241.9	73.9	113.8	69.3	150	40	7.55
2"	AP3-DA	166	265.5	85	139	83	204	49.5	11.57