



# STAINLESS STEEL 2-PIECE BALL VALVE WITH PNEUMATIC ACTUATOR DOUBLE ACTING

1,000 PSI Rated

## Double Acting

Article no.	Size
70008202	1/4"
70008203	3/8"
70008204	1/2"
70008205	3/4"
70008206	1"
70008207	1 1/4"
70008208	1 1/2"
70008210	2"
70008212	2 1/2"
70008214	3"

## Materials

Body	CF8M - 316 S/S
Ball	316 S/S
Stem Seal	PTFE
Ball Seal	PTFE

Additional cost for actuators supplied fitted with:



**Limit Switch Box** page 28

Article no.	
SWBOX	IP67 Standard
SWBOXP	Proximity Switches
SWBOXIS	Intrinsically Safe Box
SWBOXEX	Explosion Proof

**Namur Pilot Solenoid Valve** page 29



Article no.	Suffix * with
55100229*	A - 220V AC
	B - 110V AC
	D - 24V DC

Intrinsically Safe & Explosion Proof also available

**PD100 Smart Valve Positioner** page 30



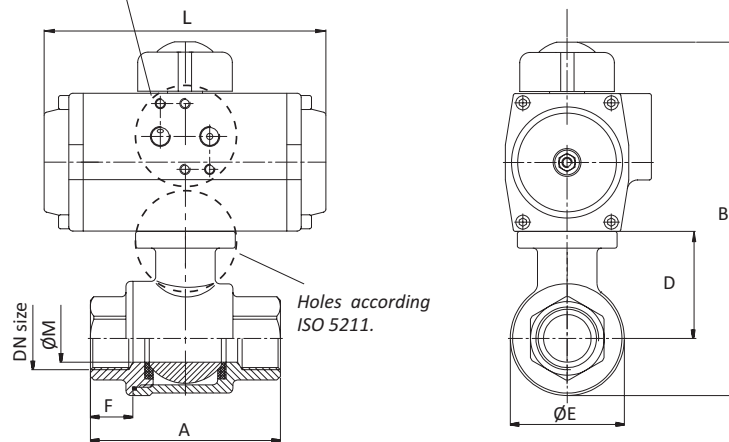
Article no.	
420100	
<ul style="list-style-type: none"> <li>- 4-20mA input signal &amp; Auto calibration</li> <li>- Local user interface &amp; LCD display</li> <li>- Optional features available</li> </ul>	

**IP67 Inductive Proximity Switch** page 31



Article no.	
IPSFIT	
<ul style="list-style-type: none"> <li>- inductive sensor included (555602)</li> <li>- target puck included (555422)</li> </ul>	
<b>Optional 2mtr cable with M12 connector</b>	
ECV001	

"NAMUR" connection for solenoid valve.



## Overall Dimensions - Double Acting

Dia mm	Size ins.	Model	A	B	D	ØE	F	L	ØM	WEIGHT Kg.
8	1/4"	AP0 - DA	65	122.5	36	32.4	9.6	110	11	0.9
10	3/8"	AP0 - DA	65	122.5	36	32.4	9.6	110	12.7	0.9
15	1/2"	AP0 - DA	65	122.5	38	34.6	12	110	15	1.52
20	3/4"	AP0 - DA	74.5	135.7	41.7	43.9	19	110	20	1.8
25	1"	AP1 - DA	88.5	161.6	44.4	50.3	19.5	137	25	1.95
32	1 1/4"	AP2 - DA	102	193.3	54	62.6	20.3	150	32	2.98
40	1 1/2"	AP2 - DA	110	204.6	59.5	74.1	24.5	150	40	3.53
50	2"	AP3 - DA	125	236.6	67	89.1	29	204	50	5.63
65	2 1/2"	AP3 - DA	160	294.9	101.5	116.7	34.5	204	65	11.3
80	3"	AP3.5 - DA	178	317.9	112.5	140.7	30	230	80	14.62