

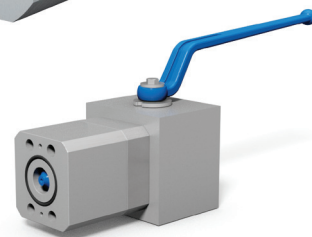
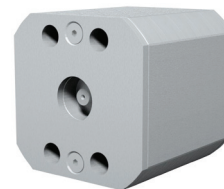
# CHECK VALVE WITH SAE ADAPTER

**210 BAR Rated (420 BAR - on request)**  
**3/4" - 2"**

The MHA ZENTGRAF high-pressure check valve RVZ-SAE complies with SAE 3000 (ISO 6162-1). The valve can be flanged directly against a manifold block or between two flanges.

The RVZ-SAE valve can be combined with the MHA ZENTGRAF high-pressure flanged ball valve KHZ-SAE.

- 2 bar cracking pressure, others on request
- Sealing options: inlet, outlet, both sided or without sealing
- Threaded pattern on request
- Standardized SAE connection, space-saving, user-friendly, reliable and low-maintenance

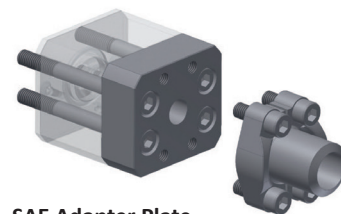


## SAE 210 BAR

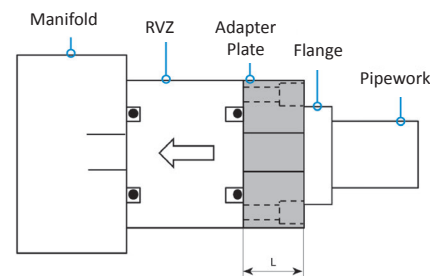
Article no. VALVE	Size DN	Article no. SAE ADAPTER PLATE	Size DN
55425	20	55443	20
55394	25	55444	25
55395	32	55445	32
54350	40	55446	40
55426	50	55447	50

## SAE420 BAR

Article no. VALVE	Size DN	Article no. SAE ADAPTER PLATE	Size DN
55731	20	448354	20
55721	25	448355	25
55716	32	448356	32
55022	40	448357	40
55726	50	554475	50

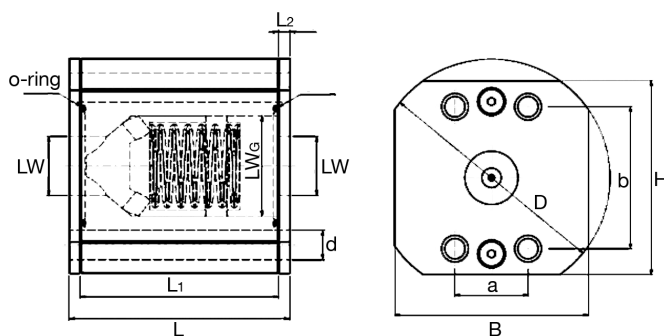


SAE Adapter Plate



## Materials

Body	Steel
Poppet	Steel
Seat	Polyurethane
O-rings	NBR
Temperature	-20°C to 100°C



## Dimensions (mm)

Connection	DN	LW	LW <sub>G</sub>	L	L <sub>1</sub>	L <sub>2</sub>	D	B	H	a	b	d	M	t	pÖ (Mpa)	PN (Mpa)	Part No.
SAE210	15 / 20														on request		
SAE210	25	17	28	61	53	4	97	70	80	26,2	52,4	11	M10	16	0,2	21	55394
SAE210	32	22	37,3	82	74	4	98	80	80	30,2	58,7	11	M10	22	0,2	21	55395
SAE210	40	28	43	89	81	4	118	90	95	35,7	69,9	13	M12	21	0,2	21	54350
SAE210	50														on request		

## Options

**Option A**  
without seals

**Option B**  
inlet side sealed

**Option C**  
outlet side sealed

**Option D**  
seals on both sides

**Option E**  
with threaded holes  $t$

Valve is supplied with 2 x 'O' rings and 2 x holding plates.  
This facilitates all options A - D