



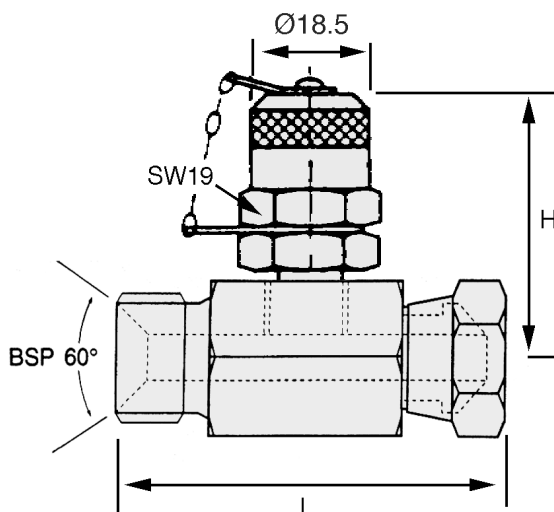
# INLINE PRESSURE TEST POINTS BSP MALE X FEMALE

Test Point Connection M16x2 400 BAR Rated

Article no.	Size	PN – BAR
340985	1/4"	400
340986	3/8"	400
340987	1/2"	400
340988	3/4"	400
340989	1"	400

## Materials

Body	Steel
Seal	NITRIL - Others on Request
Temp. Range	-30 to +100°C



## Dimensions

	L	H
1/4"	50	45
3/8"	53	49
1/2"	60	50
3/4"	64	53
1"	66	58