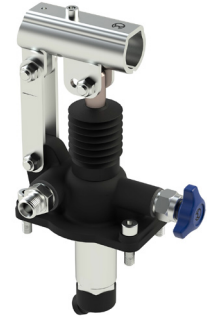


PMS LEVER OPERATED HAND PUMP

Double pumping for single acting cylinder



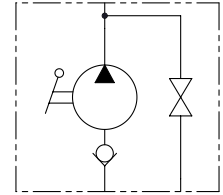
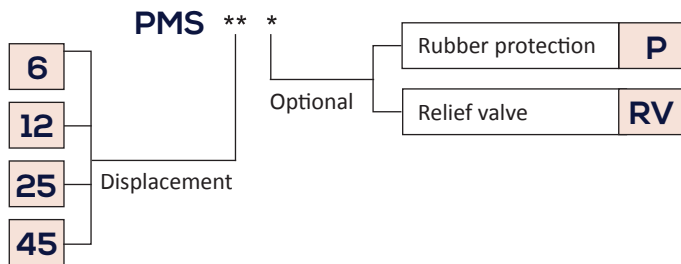
Article no.	Displacement	Optimal Pressure	Max Pressure
PMS6	6 cm ³	420 BAR	500 BAR
PMS12	12 cm ³	220 BAR	380 BAR
PMS25	25 cm ³	120 BAR	350 BAR
PMS45	45 cm ³	80 BAR	280 BAR

Also available

- Rubber Protection
- Relief Valve Option

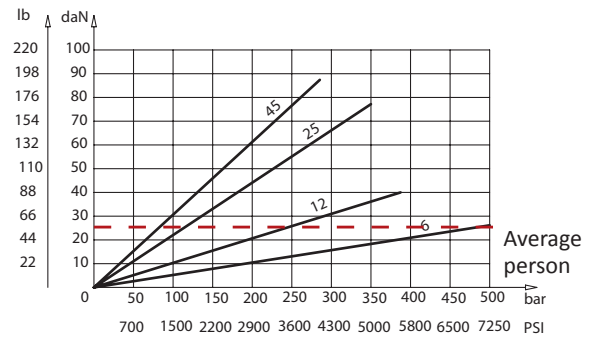


Ordering Code

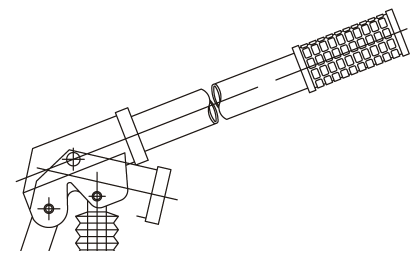
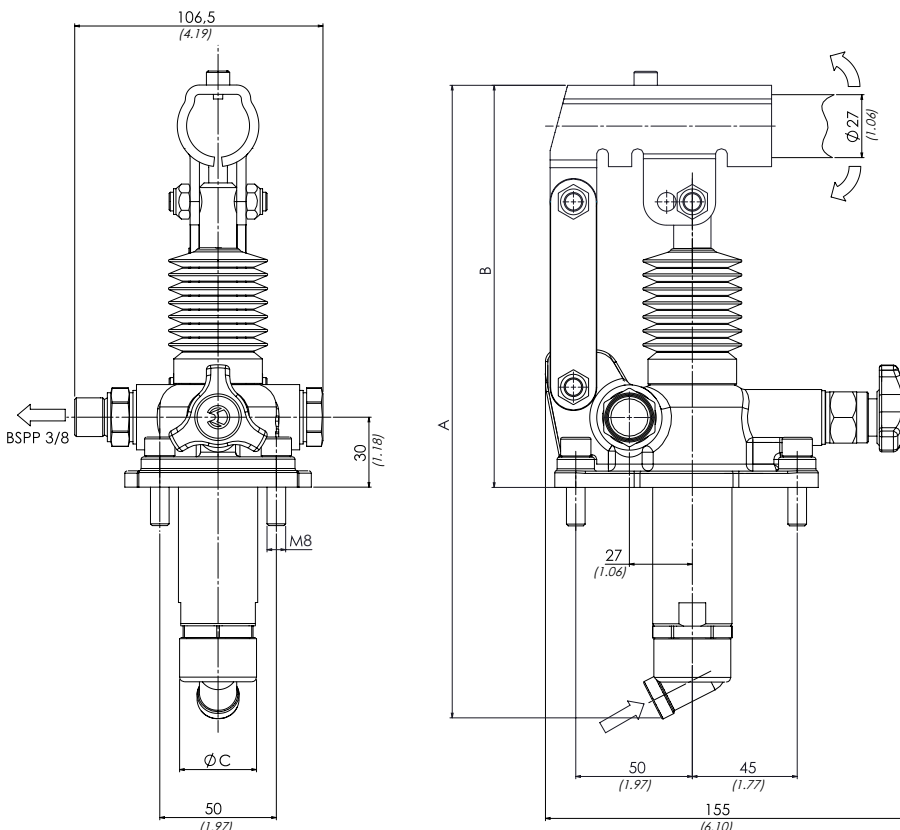


Technical data

Mineral oil	ISO 6743/4 (DIN 51524)
Oil viscosity	15-250 mm ² /s (15 to 250 cSt)
Max contamination index	ISO 4406:1999 Classe 19/17/14
Oil temperature	-20°C +80°C -4°F + 176°F
Ambient temperature	-20°C +50°C -4°F + 122°F
Weight	3.7kg
It is necessary a filter is used to protect the valve (advised filtration 15 µm)	



Dimensions - mm (in)



THE PUMP IS SUPPLIED WITH SHAPED SEAL, FIXING SCREWS AND ACTING LEVER
Length= 600mm

	A	B	C
PMS6	253 (9.96)	166 (6.54)	34 (1.34)
PMS12	253 (9.96)	166 (6.54)	34 (1.34)
PMS25	273 (10.74)	172 (6.77)	34 (1.34)
PMS45	283 (11.14)	172 (6.77)	40 (1.57)