



# RD40 SPRUNG DISC WAFER CHECK VALVE

**Suitable for ANSI and EN Flanges**

- Low pressure drop.
- Simple and compact design.
- Overall lengths according to DIN 3202 part 3-K4

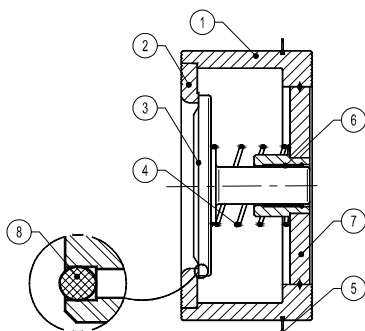
Connections Sandwiched between flanges as per EN 1092 or ANSI.  
Installation Horizontal or vertical installation.  
Rating PN 16 / PN 25 / PN 40

## 316 Stainless Steel

### Materials

- 1 Valve body CF8M / 1.4408
- 2 \* Disc AISI316 / 1.4401
- 3 \* Spring AISI302 / 1.4300
- 4 Star AISI316 / 1.4401
- 6 \* Soft seal PTFE/VITON/EPDM/NITRIL – On Request

\* Available spare parts



Article no.	Size	Max Pressure BAR
<b>316 SS</b>		
445630	1/2"	40
445631	3/4"	40
445632	1"	40
445633	1 1/4"	40
445634	1 1/2"	40
445635	2"	40
445636	2 1/2"	40
445637	3"	40
445638	4"	25

CE Marking ( PED - European Directive 97/23/EC)

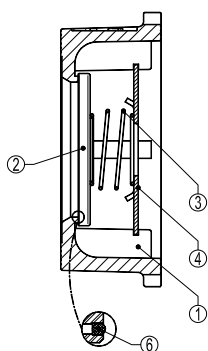
PN 25	PN 40	Category
DN15 to DN40	DN15 to DN25	SEP - Article 3, paragraph 3.
DN50 to DN100	DN32 to DN80	Category 1 (CE marked).
-	DN100	Category 1 (CE marked).

## Carbon Steel

### Materials

- 1 Valve body S355J2G3/1.0570
- 2 Seat AISI316 / 1.4401
- 3\* Disc AISI316 / 1.4401
- 4\* Spring AISI302 / 1.4300
- 5 Centre ring AISI304 / 1.4301
- 6 Bearing Steel Fe Zn
- 7 Star S355J2G3/1.0570
- 6\* Soft seal - PTFE/VITON/EPDM/NITRIL – On Request

\* Available spare parts



Article no.	Size	Max Pressure BAR
<b>CS</b>		
348401	5"	16
348402	6"	16
348403	8"	16

CE Marking ( PED - European Directive 97/23/EC)

PN 10/16	PN 25	PN 40	Category
DN125 to DN200	DN125	-	Category 1 (CE marked).
-	DN150 to DN200	DN125	Category 2 (CE marked).
-	-	DN150 to DN200	Category 3 (CE marked).

## Dimensions

### 316 Stainless Steel

DN	DN1	DN2	L	Kg
15	43	50	17	0.18
20	53	60	20	0.2
25	64	70	23	0.25
32	75	81	28	0.5
40	86	91	32	0.7
50	96	105	40	1.3
65	115	126	46	1.7
80	132	141	50	2.8
100	152	167	60	4.5

## Dimensions

### Carbon Steel

DN	DN1 PN10/16	DN2 PN25	DN2 PN40	DN2 ANSI150	DN2 ANSI300	L	Kg
125	192	192	192	192	192	90	11
150	218	226	226	226	226	106	13.5
200	273	286	293	286	286	140	24

