



CARBON STEEL SWING DISC WAFER CHECK VALVE

16 - 25 BAR Rated

Suitable for installation between PN16 - PN10 - PN25 - ASA 150 flanges
Complies with 97/23/CE (PED) directive

Technical Data

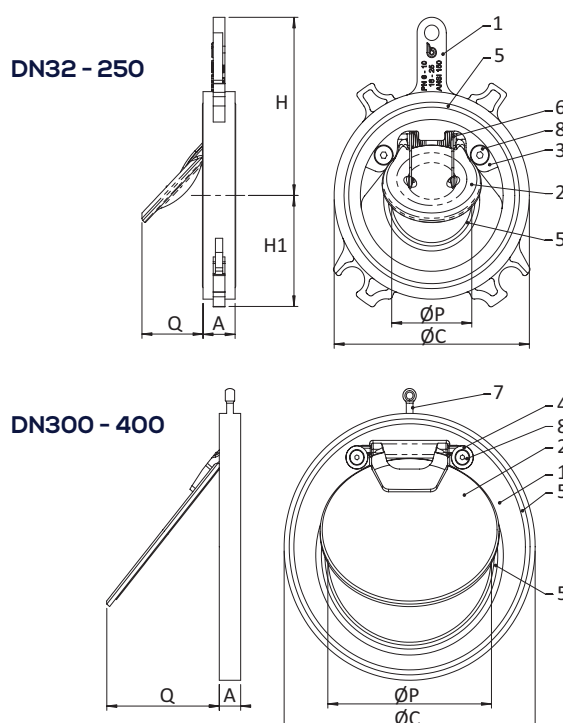
Cracking pressure	0.3 bar
Temperature range (NBR)	-20 to 100°C

Article no.	Size	Pressure BAR
Without Spring		
0643050	2"	25
0643065	2 1/2"	25
0643080	3"	25
06430100	4"	25
06430125	5"	16
06430150	6"	16
06430200	8"	16
06430250	10"	16
06430300	12"	16
06430350	14"	16
06430400	16"	16
With Spring		
M643050	2"	25
M643065	2 1/2"	25
M643080	3"	25
M6430100	4"	25
M6430125	5"	16
M6430150	6"	16
M6430200	8"	16
M6430250	10"	16

Standard = with NBR Nitril O ring

Materials

1 Body	Carbon steel ASTM A216 gr. WCB
2 Disc	Carbon steel ASTM A216 gr. WCB
3 Plate DN 32-250	Stainless steel ASTM A351 gr. CF8M
4 Plate DN 300-400	Stainless steel AISI 316
5 O-ring	NBR, FKM (Viton®)
6 Spring	Stainless steel AISI 302
7 Eyebolt	Stainless steel AISI 316
8 Screw	Stainless steel A2



Dimensions (mm)

DN	50 (2")	65 (2 1/2")	80 (3")	100 (4")	125 (5")	150 (6")	200 (8")	250 (10")	300 (12")	350 (14")	400 (16")
P	33	43	53	75	96	118	164	200	245	284	323
A	18.5	18.5	22	23.5	29	34.5	36	38	32	38	42
C	99	118	134	154	184	208	264	317	380	440	490
H	98.5	107	115	131	138	137	169	247	-	-	-
H1	63	63	73	92	119	149	167	140	-	-	-
Q*	36	49	58	77	95	117	151	183	243	260	306
Kg	0.82	1.25	1.86	2.42	3.1	5.3	8.5	12.4	17.6	27.8	36.1

*For information maximum dimension. Actual dimension depend on pipe dimension.

Flange Compatibility Chart

DN		50	65	80	100	125	150	200	250	300	350	400
PN6	EN1092-1	✓	✓	✓	✓	✓	✓	✓	✓	✗	✗	✗
PN10	EN1092-1	✓	✓	✓	✓	✓	✓	✓	✓	✓	✓	✓
PN16	EN1092-1	✓	✓	✓	✓	✓	✓	✓	✓	✓	✓	✓
PN25	EN1092-1	✓	✓	✓	✓	✓	✓	✓	✓	✗	✗	✗
ANSI 150	ANSI B16.5	✓	✓	✓	✓	✓	✓	✓	✓	✗	✗	✗