

BRASS SWING CHECK VALVES

8 – 12 BAR Rated – Single Acting Check Valve – Series ART 130



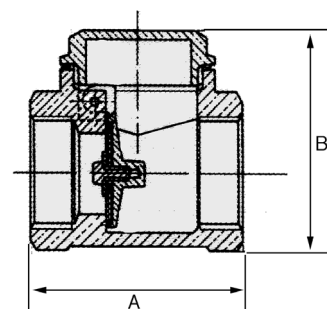
Article no. RUBBER SEAT NBR	Article no. METAL SEAT	Size BSP	Max Pressure BAR	Kv Value M3/HR
10080	10080M	3/8"	12	-
10081	10081M	1/2"	12	3.60
10082	10082M	3/4"	12	9.50
10083	10083M	1"	12	23
10084	10084M	1 1/4"	10	35
10085	10085M	1 1/2"	10	56
10086	10086M	2"	10	86
	10087	2 1/2"	8	222
	10088	3"	8	360
	10089	4"	8	540

Technical Specifications

Brass Construction
Temp Range = -20°C to +110°C
Available with NITRIL soft seat up to size 2" as standard

Dimensions – Series ART 130

Size	BSP	3/8"	1/2"	3/4"	1"	1 1/4"	1 1/2"	2"	2 1/2"	3"	4"
A	mm	43	43	52	62	72	81	94	119	134	169
B	mm	50	50	59.5	68	77	88	100	128	148	185



STAINLESS STEEL SWING CHECK VALVES

200 PSI Rated - Single Acting Check Valve



Article no. BSP	Size BSP
710081	1/2"
710082	3/4"
710083	1"
710084	1 1/4"
710085	1 1/2"
710086	2"
710087	3"

Technical Specifications

Temp Range = -30°C to +200°C

Dimensions

Size	BSP	1/4"	3/8"	1/2"	3/4"	1"	1 1/4"	1 1/2"	2"
A	mm	66	66	66	81	91	106.5	121	142
B	mm	46	46	46	54	60	72	75	82

