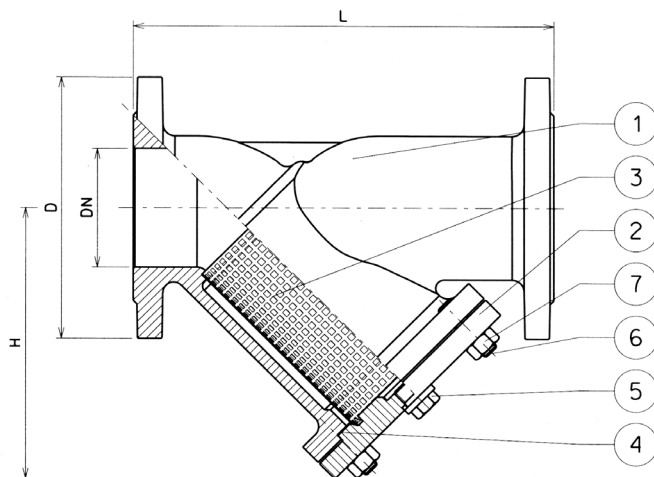
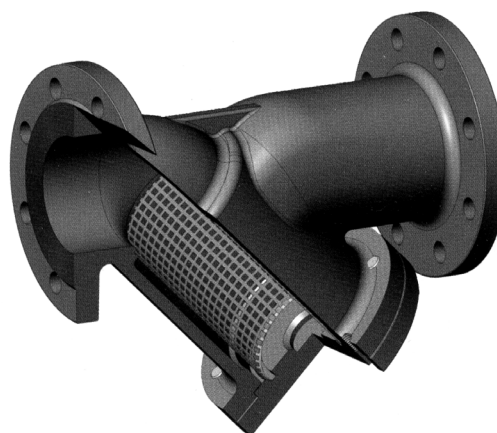
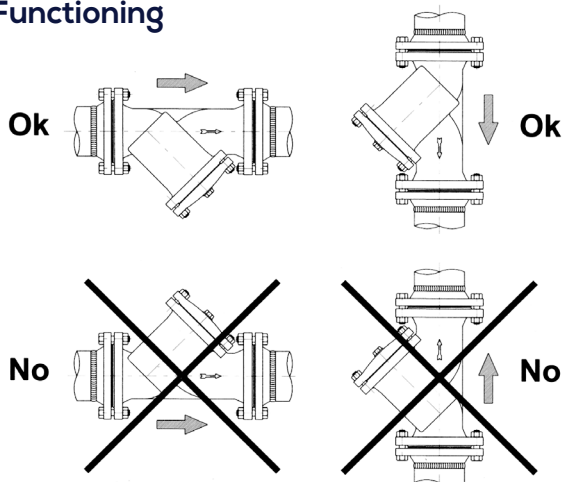


# CAST IRON & NODULAR CAST IRON STRAINERS

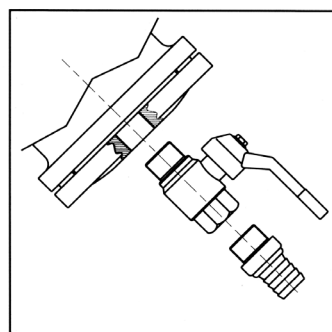


Sediment collecting strainers 'Y' type – PN16-25

Functioning



On request



## Materials

Part	Part Name	Art. 265	Art. 266
1	Body	EN-GJL-250	EN-GJS-400-18-LT
2	Cover	EN-GJL-250	EN-GJS-400-18-LT
3	Screen	St Steel 1.4301	St Steel 1.4301
4	Gasket	Graphite + St Steel	Graphite + St Steel
5	Plug > DN65	Carbon Steel	Carbon Steel
6	Studs	Carbon Steel	Carbon Steel
7	Nuts	Carbon Steel	Carbon Steel

## Dimensions (mm)

DN	15	20	25	32	40	50	65	80	100	125	150	200	250	300
D (mm)	95	105	115	140	150	165	185	200	220	250	285	340	405	460
L (mm)	130	150	160	180	200	230	290	310	350	400	480	600	730	850
H (mm)	75	75	90	90	110	120	140	165	220	260	300	360	470	560
Kv (m3/h)	5.3	9.5	16.5	20	33	54	95	140	201	340	526	870	1260	1735
Kg (Art. 265)	2.4	3	3.8	5.2	6.8	9	11.8	16.8	25.2	37	58	112	162	195
Kg (Art. 266 PN16)	2.6	3.4	4	5.8	7.2	9.6	13.6	17	27.6	37.2	56.6	124	160.8	189
Kg (Art. 266 PN25)	2.6	3.4	4	5.8	7.2	9.6	13.2	17.8	29	39.6	58.6	128	168	195

# CAST IRON & NODULAR CAST IRON STRAINERS



Sediment collecting strainers 'Y' type – PN16-25

Article no.	Size
MIV26504	1/2"
MIV26505	3/4"
MIV26506	1"
MIV26507	1 1/4"
MIV26508	1 1/2"
MIV26510	2"
MIV26512	2 1/2"
MIV26514	3"
MIV26518	4"
MIV26519	5"
MIV26520	6"
MIV26521	8"
MIV26522	10"
MIV26524	12"

## ART. 265

**PN 16**  
Manufactured in Cast Iron



### Working Conditions

Temperature °C	-10 / 50	150	200	250	300
Pressure BAR	16	14.4	12.8	11.2	9.6

Article no.	Size
MIV26604	1/2"
MIV26605	3/4"
MIV26606	1"
MIV26607	1 1/4"
MIV26608	1 1/2"
MIV26610	2"
MIV26612	2 1/2"
MIV26614	3"
MIV26618	4"
MIV26619	5"
MIV26620	6"
MIV26621	8"
MIV26622	10"
MIV26624	12"

## ART. 266

**PN 16**  
Manufactured in Nodular Cast Iron



### Working Conditions

Temperature °C	-10 / 50	150	200	250	300	350
Pressure BAR	16	15.5	14.7	13.9	12.8	11.2

Article no.	Size
MIV26612PN25	2 1/2"
MIV26614PN25	3"
MIV26618PN25	4"
MIV26619PN25	5"
MIV26620PN25	6"
MIV26621PN25	8"
MIV26622PN25	10"
MIV26623PN25	12"

## ART. 266

**PN 25**  
Manufactured in Nodular Cast Iron



### Working Conditions

Temperature °C	-10 / 50	150	200	250	300	350
Pressure BAR	25	24.3	23	21.8	20	17.5