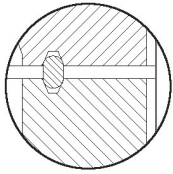




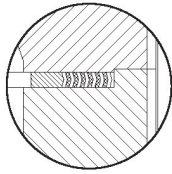
Gate Valve

Material List

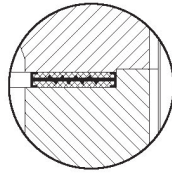
Flange Gasket



Ring Type Joint
≥ 600lb



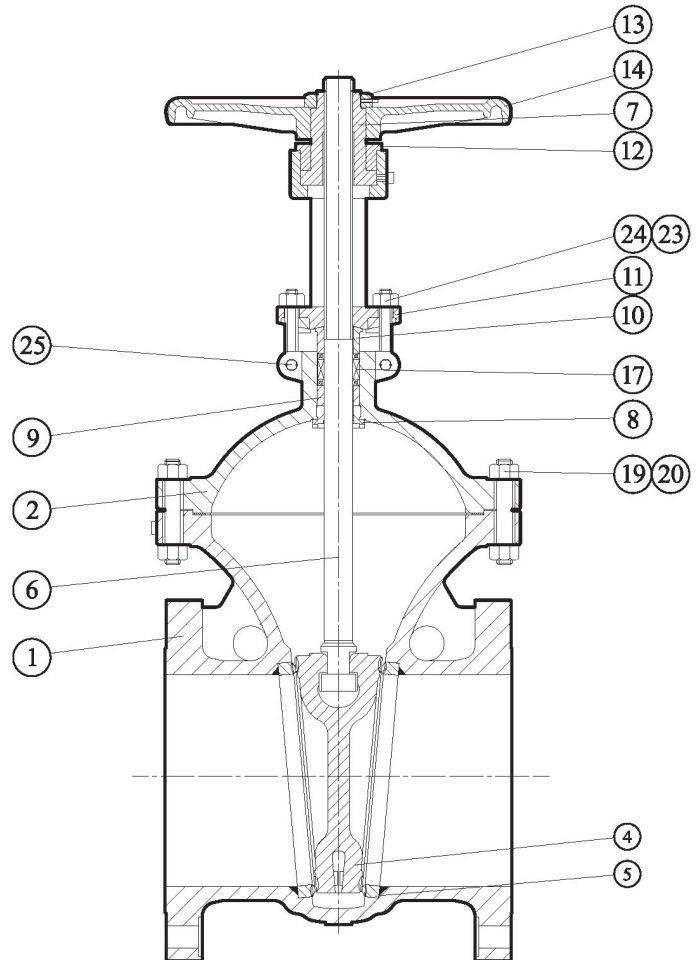
Spiral Wound Gasket
300lb



Metal Backup
Graphite Gasket
150lb

Trim Material

DHV Trim Code	Disc Surface Part No.4	Seat Ring Surface Part No.5	Stem Part No.6	Backseat Part No.8
1	13CR	13CR	F6A	420
2	HF	HF	F6A	420
3	13CR	HF	F6A	420
4	Monel	Monel	Monel	Monel
5	316	316	F316	316
6	316	HF	F316	316
7	304	304	F304	304
8	304	HF	F304	304
9	INCONEL	INCONEL	INCONEL	INCONEL
A	HF	HF	F316	316SS
B	DSS	DSS	DSS	DSS



Standard Material Specifications

Part Name	Carbon Steel to ASTM			Alloy Steel to ASTM			Stainless Steel to ASTM		
1 Body	A216 WCB	A352 LCB	A352 LCC	A217 WC6	A217 C5	A217 C12	A351 CF8	A351 CF8M	A890 4A
2 Bonnet	A216 WCB	A352 LCB	A352 LCC	A217 WC6	A217 C5	A217 C12	A351 CF8	A351 CF8M	A890 4A
4 Disc	A216 WCB	A352 LCB	A352 LCC	A217 WC6	A217 C5	A217 C12	A351 CF8	A351 CF8M	A890 4A
5 Seat Ring	A105	A350 LF2	A350 LF2	A182 F11	A182 F5A	A182 F9	A182 F304	A182 F316	A182 F51
7 Stem Nut	A439 D2						B150 C61900		
9 Packing Ring	A276 420	A276 420	A276 420	A276 420	A276 420	A276 420	A276 304	A276 316	A182 F51
10 Packing Gland	A276 420	A276 420	A276 420	A276 420	A276 420	A276 420	A276 304	A276 316	A182 F51
11 Gland Flange	A216 WCB	A352 LCB	A352 LCC	A217 WC6	A217 C5	A217 C12	A351 CF8	A351 CF8M	A890 4A
12 Gland	Steel								
13 Handwheel Nut	Steel								
14 Handwheel	Ductile Iron								
17 Packing	Graphite								
19 Bonnet Bolt	A193 B7	A320 L7	A320 L7	A193 B16	A193 B16	A193 B16	A193 B8	A193 B8M	A193 B8MLCuN
20 Bonnet Nut	A194 2H	A194 7	A194 7	A194 4	A194 4	A194 4	A194 8	A194 8M	A194 8MLCuNa
23 Eyebolt	A193 B7	A320 L7	A320 L7	A193 B16	A193 B16	A193 B16	A193 B8	A193 B8M	A193 B8MLCuN
24 Eyebolt Nut	A194 2H	A194 7	A194 7	A194 4	A194 4	A194 4	A194 8	A194 8M	A194 8MLCuNa
25 Pin	Steel								



Gate Valve

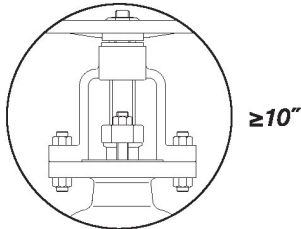
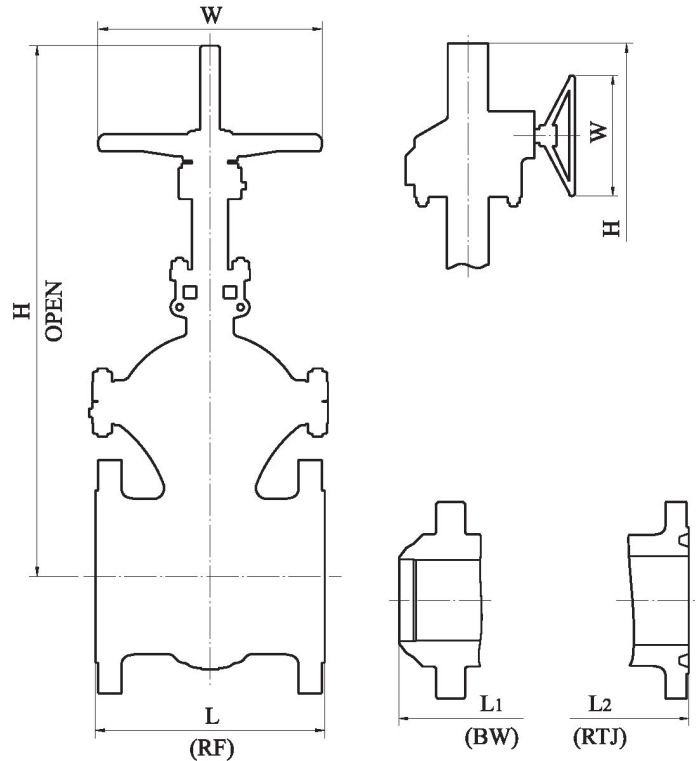
Feature & Dimension

Features

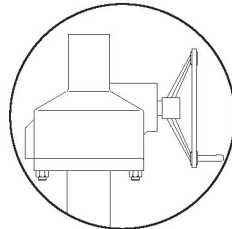
- OS & Y, Rising Stem
- Flexible Wedge
- Bolted Bonnet
- Renewable Seat Rings Welded or Threaded
- Flanged Ends or Buttwelding Ends

Specifications

Basic Design: **API 600 ASME B16.34**
 Optional Design
 150-600LB: **API 603**
 Face to Face: **ASME B16.10**
 End Flange:
 2"-24" **ASME B16.5**
 26"-36" **ASME B16.47**
 B.W End: **ASME B16.25**
 Test and Inspection: **API 598**
 Manufacturing to NACE MR0103 on request

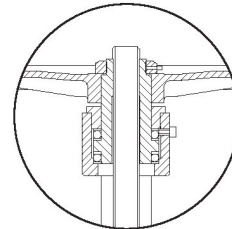


Separate Yoke



Bevel Gear

150LB	≥ 24"
300LB	≥ 20"
600LB	≥ 14"
900LB	≥ 10"
1500LB	≥ 8"
2500LB	≥ 8"



Bearing Yoke

150LB	≥ 16"
300LB	≥ 16"
600LB	≥ 6"
900LB	≥ 4"
1500LB	≥ 4"
2500LB	≥ 4"

150LB

Description	Valve Size																
	2	3	4	6	8	10	12	14	16	20	24	28	30	32	36		
Flanged End L	in	7.00	8.00	9.00	10.50	11.50	13.00	14.00	15.00	16.00	18.00	20.00	24.00	26.00	28.00		
	mm	178	203	229	267	292	330	356	381	406	457	508	610	660	711		
Weld End L ₁	in	8.50	11.12	12.00	15.88	16.50	18.00	19.75	22.50	24.00	28.00	32.00	36.00	38.00	40.00		
	mm	216	283	305	403	419	457	502	572	610	711	813	914	965	1016		
Height to Open H	in	16.38	19.21	23.62	31.34	38.23	45.83	53.58	58.98	67.24	82.68	100.91	117.17	124.45	130.31	147.09	
	mm	416	488	600	796	971	1164	1361	1498	1708	2100	2563	2976	3161	3310	3736	
Handwheel Dia W	in	7.90	9.80	11.80	13.80	15.80	17.70	17.70	19.70	23.60	26.80	18.10	24.00	24.00	24.00		
	mm	200	250	300	350	400	450	450	500	600	680	460	610	610	610		
Weight	RF	Kg	20	35	51	83	135	210	286	389	492	800	1416	1910	2538	2977	3389
	BW	Kg	16	26	43	71	116	160	243	354	488	764	1382	1848	2253	2509	3319

For sizes out of above range, please consult DHV for details.