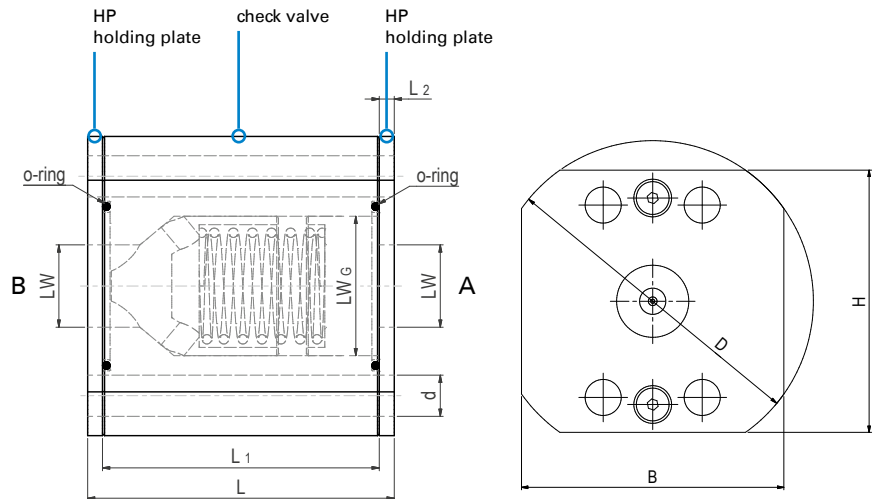


Check valve with SAE adapter Steel / Stainless Steel

RVZ-SAE



AVAILABLE SIZES

DN15 - DN50 (5/8" to 2")

CONNECTIONS

ISO 6162-1, ISO 6162-2

PORTING PATTERN



ACCESSORIES ON REQUEST

- Double flange pattern adapter plate page 216

MATERIAL CODE DESCRIPTION

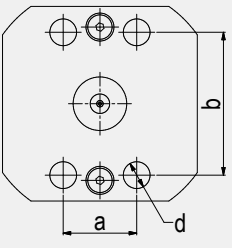
Materials	28p8	44p8
Body	Steel	Stainless Steel
Poppet	Steel	Stainless Steel
Seat	Polyurethane	Polyurethane
O-rings	FPM	FPM
Tmin /Tmax	-20°C / 100°C	-20°C / 100°C
Cracking pressure	2 bar	2 bar

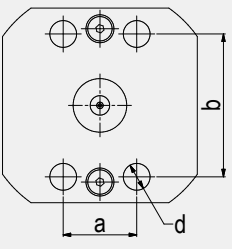
GENERAL DIMENSIONS

Type	LW	LW _G	L	L ₁	D	B	H	PÖ [bar]
RVZ-DN15-SAE210	11	17,5	46	38	70	45	60	2
RVZ-DN20-SAE210	14,5	23	54	46	82	55	70	2
RVZ-DN25-SAE210	17	28	61	53	97	70	80	2
RVZ-DN32-SAE210	22	37,3	82	74	98	80	80	2
RVZ-DN40-SAE210	28	43	89	81	118	90	95	2
RVZ-DN50-SAE210	37	55	105	97	137	100	110	2
RVZ-DN15-SAE420	11	17,5	46	38	73	50	60	2
RVZ-DN20-SAE420	14,5	23	54	46	87	60	70	2
RVZ-DN25-SAE420	17	28	61	53	98	70	80	2
RVZ-DN32-SAE420	22	37,3	84	74	115	80	95	2
RVZ-DN40-SAE420	28	43	91	81	136	95	115	2
RVZ-DN50-SAE420	37	55	109	97	165	115	135	2

Check valve with SAE adapter Steel / Stainless Steel

RVZ-SAE

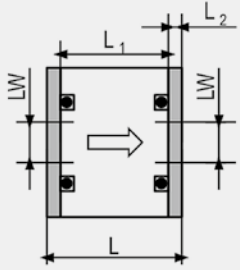
CONNECTION TYPE	DIMENSIONS					ORDER CODE PER MATERIAL COMBINATION		
	Type	a	b	d	Weight [Kg]	PN [bar]	28p8	44p8
	RVZ-DN15-SAE210	17,5	38,1	9	1,10	210	55424	on request
	RVZ-DN20-SAE210	22,2	47,6	11	1,50	210	55425	on request
	RVZ-DN25-SAE210	26,2	52,4	11	2,30	210	55394	on request
	RVZ-DN32-SAE210	30,2	58,7	11	3,45	210	55395	on request
	RVZ-DN40-SAE210	35,7	69,9	13	4,85	210	54350	on request
	RVZ-DN50-SAE210	42,9	77,8	13	7,80	210	55426	on request

CONNECTION TYPE	DIMENSIONS					ORDER CODE PER MATERIAL COMBINATION		
	Type	a	b	d	Weight [Kg]	PN [bar]	28p8	44p8
	RVZ-DN15-SAE420	18,2	40,5	9	1,10	420	55732	on request
	RVZ-DN20-SAE420	23,8	50,8	11	1,50	420	55731	on request
	RVZ-DN25-SAE420	27,8	57,2	13	2,30	420	55721	on request
	RVZ-DN32-SAE420	31,8	66,7	13	3,45	420	55716	on request
	RVZ-DN40-SAE420	36,5	79,4	17	4,85	420	55022	on request
	RVZ-DN50-SAE420	44,5	96,8	22	7,80	420	55726	on request

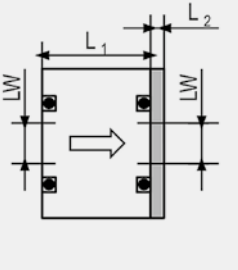
Scope of delivery

- Check valve + 2 O-rings + 2 holding plates
- Adapter plate has to be ordered separately (see next page)
- Standard cracking pressure 2 bar, further cracking pressures on request

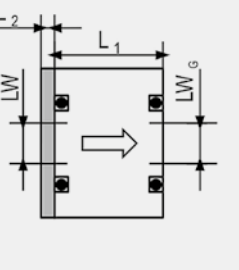
OPTIONS THAT CAN BE REALIZED WITH SCOPE OF DELIVERY



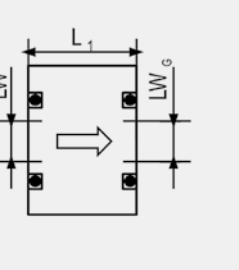
Option A
without seals



Option B
inlet side sealed



Option C
outlet side sealed



Option D
seals on both sides

on request

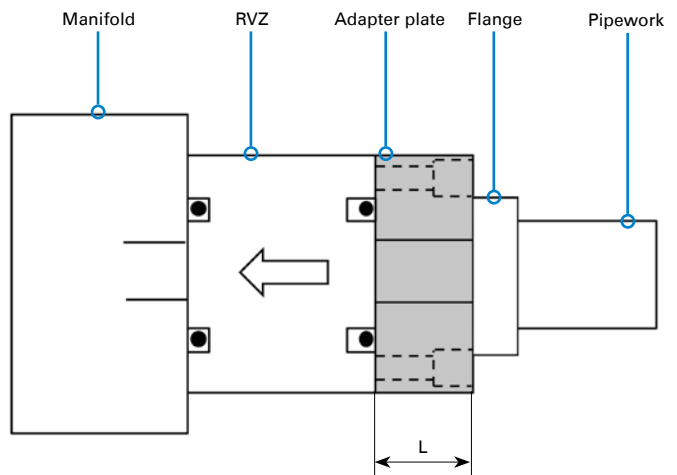
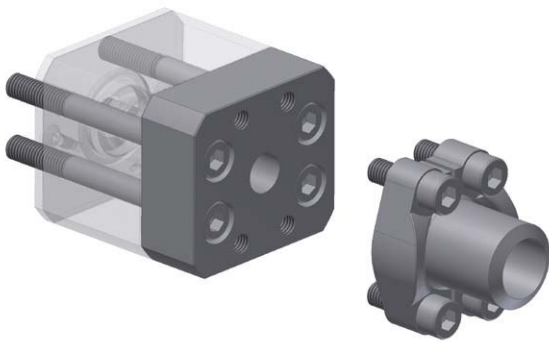
Option E
with threaded holes

⚠ Due to spring and manufacturing tolerances cracking pressures may deviate by ±30%.

⚠ Leakage rate of check valve DIN EN 12266 leakage rate A - no visually noticeable leakage during the duration of the test with fluid or air.

RVZ double flange pattern adapter plate Steel / Stainless Steel

RVZ-SAE



MATERIAL CODE DESCRIPTION

Materials	1	4
Body	Steel	Stainless Steel (on request)

The adapter plate expands the functional range of the RVZ with additional threaded connections. Through that it is (for example) possible to remove a connected pipe from the RVZ without removing the RVZ from the manifold it is attached to.

DIMENSIONS ISO 6162-1/SAE210

Connection	DN	L	PN (bar)	ORDER CODE PER MATERIAL	
				1	4
SAE210	15	on request	210	on request	on request
SAE210	20	29	210	55443	on request
SAE210	25	29	210	55444	on request
SAE210	32	33	210	55445	on request
SAE210	40	33	210	55446	on request
SAE210	50	33	210	55447	on request

DIMENSIONS ISO 6162-2/SAE420

Connection	DN	L	PN (bar)	ORDER CODE PER MATERIAL	
				1	4
SAE420	15	on request	420	on request	on request
SAE420	20	on request	420	on request	on request
SAE420	25	on request	420	on request	on request
SAE420	32	on request	420	on request	on request
SAE420	40	on request	420	on request	on request
SAE420	50	on request	420	on request	on request

FLOW CHARACTERISTICS

