

Series HH • Stainless Steel
Product Description

Screw-to-connect couplings of the HH Series made of stainless steel from STAUFF consist of a female body with a screw sleeve and a male tip with external thread. The Series is developed for high working pressure applications for connecting hydraulic lines up to DN51 (2").

Coupling (screwing) and uncoupling (unscrewing) of the two halves is safe and very easy. After the connection is complete, all internal components have minimal play or clearance, which significantly reduces the risk of material fatigue.

Another advantage is that the risk of permanent indentation, so-called "brinelling", on the surface of the male tip is eliminated, which can occur with push-to-connect couplings in similar extreme applications.

The proven design is suitable for use in high pressure applications and available in nominal sizes 10, 12,5, 19, 25, 31, 38, 51 (3/8" - 2").

Features

- Poppet Valve
- Coupling made of stainless steel
- Connect under pressure
- Heavy duty internal components
- Wide of range for normal sizes up to DN51 (2")

Applications


High Pressure Applications

Top Features


Connect Under pressure



Designed for secure connection



HH



Series HH ▪ Stainless Steel

Material	Stainless Steel V4A (AISI 316)
Surface Finishing	-
Standard Seal Material(s)	FKM (Viton®) ²
Working Temperature	-25° C ... +200° C / -13° F ... +392° F
Valve Design	Poppet Valve
Connection	Screw
Disconnection	Screw
Connect Under Pressure	Male Tip or Female Body allowed
Application	Industrial Hydraulic, Offshore, Rescue and Tensioning Hydraulics
ISO Interchange	-



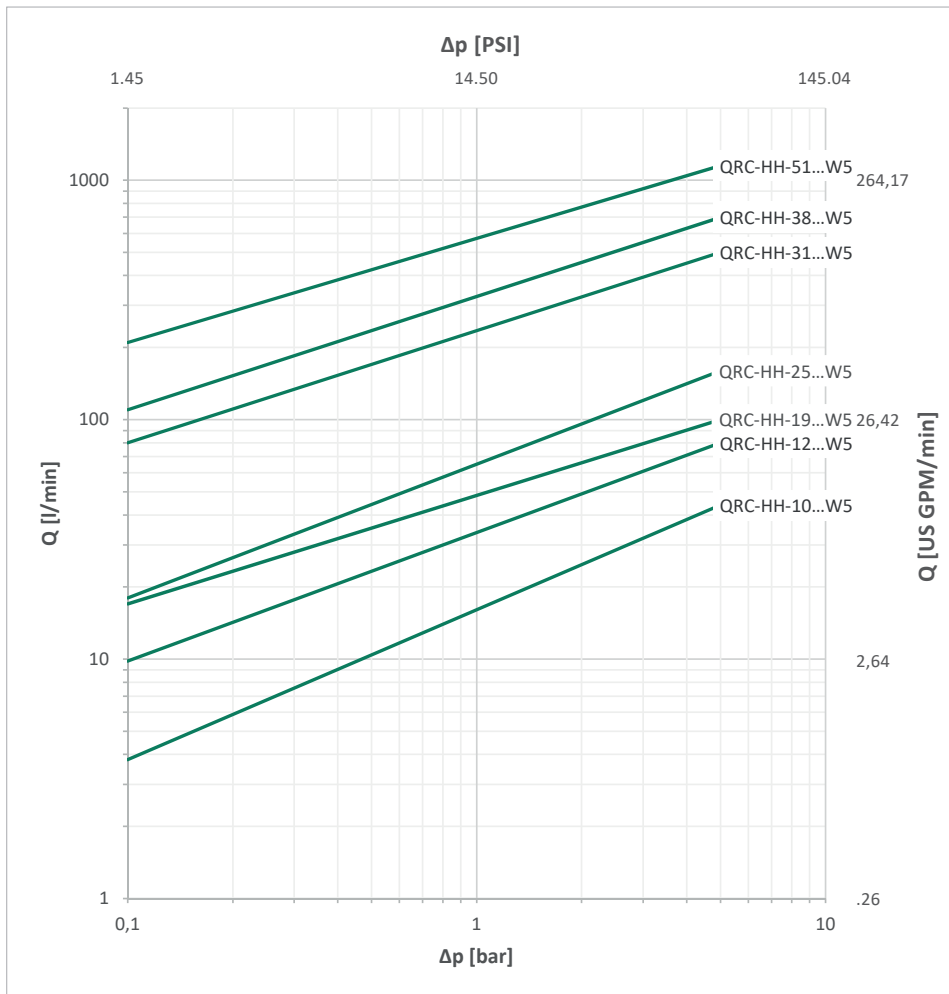
² Alternative seal materials are available on request.

Technical Data

Series	BG	DN Zoll Inch	DN metric ISO 4397	Q _{max}		Working Pressure		Bursting Pressure Connected		Female Body		Male Tip		Spillage	
				l/min	US GPM	bar	PSI	bar	PSI	bar	PSI	bar	PSI	ml	fl oz
HH-10	2	3/8"	10	18	4.76	650	9427	2200	31908	2400	34809	2200	31908	1,9	.0642
HH-12	3	1/2"	12,5	23	6.08	600	8702	2100	30458	2000	29008	1600	23206	2,7	.0913
HH-19	4	3/4"	19 (20)	45	11.89	500	7252	2000	29007	3000	43511	2800	40611	9,3	.3145
HH-25	6	1"	25	106	28.00	460	6672	1600	23206	1800	26107	1600	23206	16	.5410
HH-31	8	1 1/4"	31	189	49.93	400	5802	1400	20305	1900	27557	1600	23206	30	10.144
HH-38	10	1 1/2"	38	300	79.25	360	5221	1700	24656	1700	24656	1700	24656	54	18.260
HH-51	12	2"	51	757	199.98	210	3046	1050	15229	1600	23206	1400	20305	120	40.577

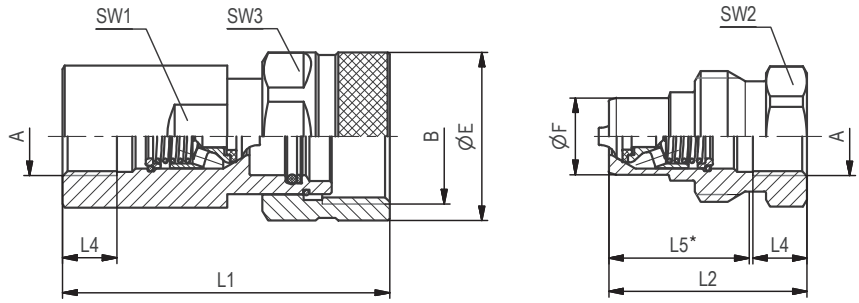
The indicated pressure ratings only apply to the coupling itself and depend on the connection type.

Flow Characteristics



Please note: Unless otherwise stated, all flow characteristics have been determined with hydraulic oil with a kinematic viscosity of 28,8 - 35,2 mm²/s (28,8 - 35,2 cSt) and are only valid for components with non-reducing connections.





SW: Width across flats. All dimensions in mm (inch). Drawing similar Series HH-12.
* Insertion Male Tip.

Series HH-10 • BG 2 • Nominal Size 10

Port A	Dimensions (mm/inch)											Female Body	Weight (kg/lbs) ca. per 100	Male Tip	Weight (kg/lbs) ca. per 100
	ØE	ØF	B	L1	L2	L4 min	L5	SW1	SW2	SW3	Ordering Codes				
Female Thread according to DIN 3852 - ISO 1179-1 - ANSI B 1.20.3															
	G 3/8"	39	18,9	1 1/4" - 8 UN	76	48	14	34	30	32	36	QRC-HH-10-F-G06-VT-W5	38,15	QRC-HH-10-M-G06-V-W5	15,47
		1,54	0,74		2,99	1,89	.55	1,34	1,18	1,26	1,42		84,11		34,11
	NPTF 3/8" -18	39	18,9	1 1/4" - 8 UN	76	48		34	30	32	36	QRC-HH-10-F-NF06-VT-W5	36,10	QRC-HH-10-M-NF06-V-W5	15,74
		1,54	0,74		2,99	1,89		1,34	1,18	1,26	1,42		79,59		34,70

Series HH-12 • BG 3 • Nominal Size 12,5

Port A	Dimensions (mm/inch)											Female Body	Weight (kg/lbs) ca. per 100	Male Tip	Weight (kg/lbs) ca. per 100
	ØE	ØF	B	L1	L2	L4 min	L5	SW1	SW2	SW3	Ordering Codes				
Female Thread according to DIN 3852 - ISO 1179-1 - ANSI B 1.20.3															
	G 1/2"	45	20,5	1 3/8" - 8 UN	86,4	53	18	37,5	34	34	41	QRC-HH-12-F-G08-VT-W5	59,25	QRC-HH-12-M-G08-V-W5	19,26
		1,77	.81		3,40	2,09	.71	1,48	1,34	1,34	1,61		130,62		42,46
	NPTF 1/2" -14	45	20,5	1 3/8" - 8 UN	86,4	53		37,5	34	34	41	QRC-HH-12-F-NF08-VT-W5	59,84	QRC-HH-12-M-NF08-V-W5	19,55
		1,77	.81		3,40	2,09		1,48	1,34	1,34	1,61		131,92		43,10

Series HH-19 • BG 4 • Nominal Size 19

Port A	Dimensions (mm/inch)											Female Body	Weight (kg/lbs) ca. per 100	Male Tip	Weight (kg/lbs) ca. per 100
	ØE	ØF	B	L1	L2	L4 min	L5	SW1	SW2	SW3	Ordering Codes				
Female Thread according to DIN 3852 - ISO 1179-1 - ANSI B 1.20.3															
	G 3/4"	53,8	27,9	1 3/4" - 6 UN	105,5	63	21,5	48	41	46	50	QRC-HH-19-F-G12-VT-W5	94,88	QRC-HH-19-M-G12-V-W5	37,6
		2,12	1,10		4,15	2,48	.85	1,89	1,61	1,81	1,97		209,17		82,89
	NPTF 3/4" -14	53,8	27,9	1 3/4" - 6 UN	105,5	63		48	41	46	50	QRC-HH-19-F-NF12-VT-W5	95,75	QRC-HH-19-M-NF12-V-W5	38,51
		2,12	1,10		4,15	2,48		1,89	1,61	1,81	1,97		211,09		84,90

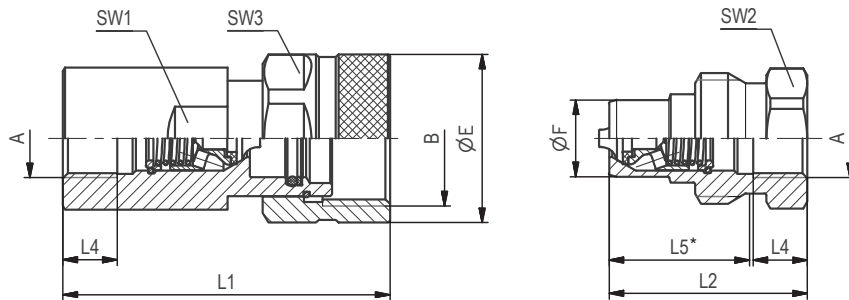
Series HH-25 • BG 6 • Nominal Size 25

Port A	Dimensions (mm/inch)											Female Body	Weight (kg/lbs) ca. per 100	Male Tip	Weight (kg/lbs) ca. per 100
	ØE	ØF	B	L1	L2	L4 min	L5	SW1	SW2	SW3	Ordering Codes				
Female Thread according to DIN 3852 - ISO 1179-1 - ANSI B 1.20.3															
	G 1"	58,8	31,3	M52x4	123	72	21,5	56	50	50	55	QRC-HH-25-F-G16-VT-W5	142,03	QRC-HH-25-M-G16-V-W5	53,84
		2,31	1,23		4,84	2,83	.85	2,20	1,97	1,97	2,17		313,12		118,70
	NPTF 1" -11	58,8	31,3	M52x4	123	72		56	50	50	55	QRC-HH-25-F-NF16-VT-W5	149,11	QRC-HH-25-M-NF16-V-W5	55,02
	1/2	2,31	1,23		4,84	2,83		2,20	1,97	1,97	2,17		328,73		121,30

HH

Note: The connection of the two halves of a coupling is achieved depending on the type. It is important to observe the positive engagement of plug-type couplings and the secure tightening of screw-type couplings to the limit stop of the thread. Forced or improper separation will result in malfunction of the coupling.





SW: Width across flats. All dimensions in mm (inch). Drawing similar Series HH-12.
* Insertion Male Tip.

Series HH-31 • BG 8 • Nominal Size 31,5

Port A	Dimensions (mm/in)										Female Body	Weight (kg/lbs) ca. per 100	Male Tip	Weight (kg/lbs) ca. per 100	
	ØE	ØF	B	L1	L2	L4 min	L5	SW1	SW2	SW3					Ordering Codes
Female Thread according to DIN 3852 - ISO 1179-1 - ANSI B 1.20.3															
	G 1 1/4"	80	44	M68x6	153	86	20	72	65	65	75	QRC-HH-31-F-G20-VT-W5	293,30	QRC-HH-31-M-G20-V-W5	107,40
		3.15	1.73		6.02	3.39	.79	2.83	2.56	2.56	2.95		646.62		236.78
	NPTF 1 1/4"	80	44	M68x6	153	86		72	65	65	75	QRC-HH-31-F-NF20-VT-W5	295	QRC-HH-31-M-NF20-V-W5	109,20
	-11 1/2	3.15	1.73		6.02	3.39		2.83	2.56	2.56	2.95		650.36		240.74

Series HH-38 • BG 10 • Nominal Size 38

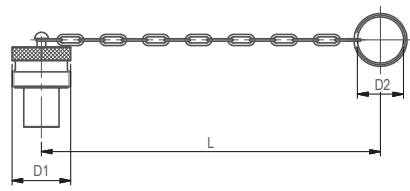
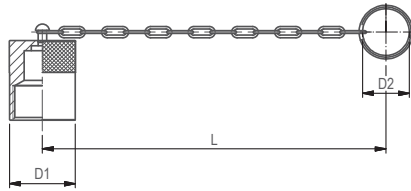
Port A	Dimensions (mm/in)										Female Body	Weight (kg/lbs) ca. per 100	Male Tip	Weight (kg/lbs) ca. per 100	
	ØE	ØF	B	L1	L2	L4 min	L5	SW1	SW2	SW3					Ordering Codes
Female Thread according to DIN 3852 - ISO 1179-1 - ANSI B 1.20.3															
	G 1 1/2"	98	53,4	M78x6	172	95	22	80	75	80	90	QRC-HH-38-F-G24-VT-W5	455	QRC-HH-38-M-G24-V-W5	173,40
		3.86	2.10		6.77	3.74	.87	3.15	2.95	3.15	3.54		1003.10		382.28
	NPTF 1 1/2"	98	53,4	M78x6	172	95		80	75	80	90	QRC-HH-38-F-NF24-VT-W5	457	QRC-HH-38-M-NF24-V-W5	173
	-11 1/2	3.86	2.10		6.77	3.74		3.15	2.95	3.15	3.54		1007.51		381.40

Series HH-51 • BG 12 • Nominal Size 51

Port A	Dimensions (mm/in)										Female Body	Weight (kg/lbs) ca. per 100	Male Tip	Weight (kg/lbs) ca. per 100	
	ØE	ØF	B	L1	L2	L4 min	L5	SW1	SW2	SW3					Ordering Codes
Female Thread according to DIN 3852 - ISO 1179-1 - ANSI B 1.20.3															
	G 2"	129	81,8	M115x8	205	118	24	96	100	110	125	QRC-HH-51-F-G32-VT-W5	888	QRC-HH-51-M-G32-V-W5	503
		5.07	3.22		8.07	4.65	.94	3.78	3.93	4.33	4.92		1957.71		1108.93
	NPTF 2" -11	129	81,8	M115x8	205	118		96	100	110	125	QRC-HH-51-F-NF32-VT-W5	892	QRC-HH-51-M-NF32-V-W5	507
	1/2	5.07	3.22		8.07	4.65		3.78	3.93	4.33	4.92		1966.52		1117.74

Note: The connection of the two halves of a coupling is achieved depending on the type. It is important to observe the positive engagement of plug-type couplings and the secure tightening of screw-type couplings to the limit stop of the thread. Forced or improper separation will result in malfunction of the coupling.



Series HH • Dust Protection


Dimensions (mm/in)			Material	Dust Cap for Male Tip
D1	D2	L		Ordering Codes
34	30	240	Aluminium with chain	QRC-HH-10-DM-30/CN-W89-SI
1.34	1.18	9.45		
38	30	240	Aluminium with chain	QRC-HH-12-DM-30/CN-W89-SI
1.50	1.18	9.45		
48	41	290	Aluminium with chain	QRC-HH-19-DM-41/CN-W89-SI
1.89	1.61	11.42		
58	48	300	Aluminium with chain	QRC-HH-25-DM-48/CN-W89-SI
2.28	1.89	11.81		
81	48	400	Aluminium with chain	QRC-HH-31-DM-48/CN-W89-SI
3.19	1.89	15.75		
85	46	260	Aluminium with chain	QRC-HH-38-DM-46/CN-W89-SI
3.35	1.81	10.24		
100	46	300	Aluminium with chain	QRC-HH-51-DM-46/CN-W89-SI
3.94	1.81	11.81		

Dimensions (mm/in)			Material	Dust Plug for Female Body
D1	D2	L		Ordering Codes
34	30	240	Aluminium with chain	QRC-HH-10-DF-30/CN-W89-SI
1.34	1.18	9.45		
34	30	240	Aluminium with chain	QRC-HH-12-DF-30/CN-W89-SI
1.34	1.18	9.45		
53	48	300	Aluminium with chain	QRC-HH-19-DF-48/CN-W89-SI
2.09	1.89	11.81		
53	41	290	Aluminium with chain	QRC-HH-25-DF-41/CN-W89-SI
2.09	1.61	11.42		
71	48	400	Aluminium with chain	QRC-HH-31-DF-48/CN-W89-SI
2.80	1.89	15.75		
98	46	210	Aluminium with chain	QRC-HH-38-DF-46/CN-W89-SI
3.86	1.81	8.27		
115	46	270	Aluminium with chain	QRC-HH-51-DF-46/CN-W89-SI
4.53	1.81	10.63		

