

**Series HUS • Carbon Steel**
**Product Description**

Push-to-Connect couplings of the HUS Series from STAUFF consist of a male tip and a female body which are used for quick and easy connection (push) and disconnection of tubes, pipes and hoses by hand, i.e. without tools.

The proven design is suitable for use in agricultural and forestry machinery, construction machinery and hydraulic attachments.

The Series was developed for coupling Under pressure according to the Nordic interchange in the following nominal sizes 10, 12, 19, 25 (3/8" - 1").

**Features**

- poppet valve
- Coupling made from carbon steel with Zinc/Nickel surface coating
- Integrated locking system preventing unintentional release of the coupling
- Nordic interchange
- Female body is supplied with safety locking ring
- Male and Female poppet valves fitted with decompression valve (pressure eliminator)

**Applications**

	<b>Agricultural and Forestry Machinery</b>		<b>Construction Machinery</b>		<b>Industrial Hydraulic</b>
--	--	--	-------------------------------	--	-----------------------------

**Top Features**

	<b>Zinc/Nickel coating</b>		<b>Connect Under pressure</b>		<b>Designed for secure connection</b>
--	----------------------------	--	-------------------------------	--	---------------------------------------

**HUS**


### Series HUS ▪ Carbon Steel

Material	Carbon Steel
Surface Finishing	Zinc-Nickel
Standard Seal Material(s)	NBR (Buna-N®) <sup>2</sup>
Working Temperature	-30° C ... +106° C / -22° F ... +223° F
Valve Design	Poppet Valve
Connection	Push
Disconnection	Actuate Push Sleeve
Connect Under Pressure	Male Tip/Female Body
Application	Construction Machinery, Industrial Hydraulic
ISO Interchange	-



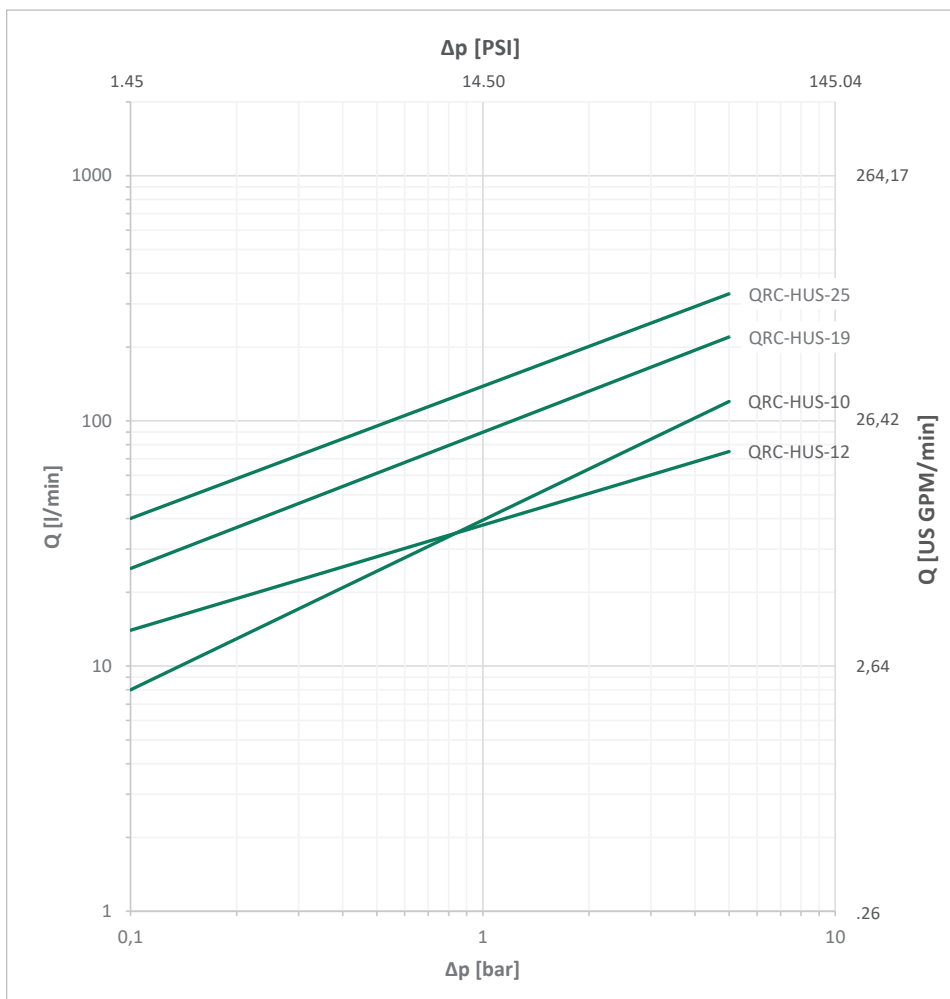
<sup>2</sup>Alternative seal materials are available on request.

### Technical Data

Series	BG	DN Zoll Inch	DN metric ISO 4397	Q <sub>max</sub>		Working Pressure		Bursting Pressure Connected		Female Body		Male Tip		Spillage	
				l/min	US GPM	bar	PSI	bar	PSI	bar	PSI	bar	PSI	ml	fl oz
HUS-10	2	3/8"	10	30	7.93	350	5076	1050	15229	1450	21031	1500	21756		
HUS-12	3	1/2"	12,5	67,5	17.83	315	4569	1000	14504	1200	17405	1000	14504		
HUS-19	4	3/4"	19 (20)	159	42.00	270	3916	1080	15664	1000	14504	900	13053		
HUS-25	6	1"	25	378	99.86	270	3916	900	13053	900	13053	900	13053		

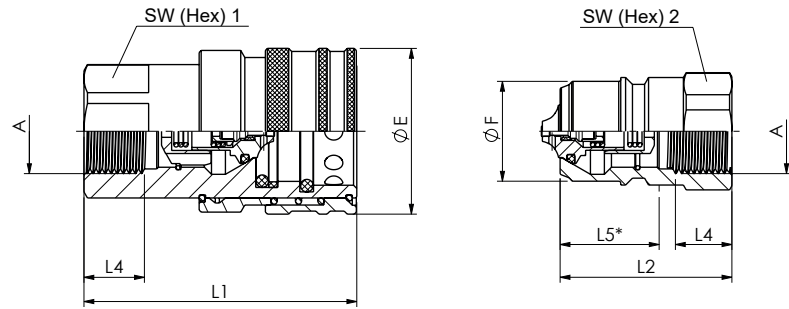
The indicated pressure ratings only apply to the coupling itself and depend on the connection type.

### Flow Characteristics



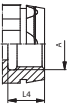
Please note: Unless otherwise stated, all flow characteristics have been determined with hydraulic oil with a kinematic viscosity of 28,8 - 35,2 mm<sup>2</sup>/s (28,8 - 35,2 cSt) and are only valid for components with non-reducing connections.



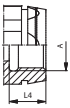


SW: Width across flats. All dimensions in mm (inch).

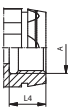
**Series HUS-10 • BG 2 • Nominal Size 10**

Port A	Dimensions ( <sup>mm</sup> / <sub>in</sub> )									Female Body Ordering Codes	Weight (*9 <sub>lbs</sub> ) ca. per 100	Male Tip Ordering Codes	Weight (*9 <sub>lbs</sub> ) ca. per 100
	ØE	ØF	L1	L2	L4 min	L5	SW1	SW2					
Female Thread according to DIN 3852 - ISO 1179-1 - ANSI B 1.20.3													
	G 3/8"	35	19,9	61,6	38	12	23	24	22	QRC-HUS-10-F-G06-BT-W3	23,71	QRC-HUS-10-M-G06-B-W3	5,89
		1,38	.78	2,43	1,50	.47	.91	.94	.87		52,27		12,99

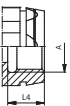
**Series HUS-12 • BG 3 • Nominal Size 12,5**

Port A	Dimensions ( <sup>mm</sup> / <sub>in</sub> )									Female Body Ordering Codes	Weight (*9 <sub>lbs</sub> ) ca. per 100	Male Tip Ordering Codes	Weight (*9 <sub>lbs</sub> ) ca. per 100
	ØE	ØF	L1	L2	L4 min	L5	SW1	SW2					
Female Thread according to DIN 3852 - ISO 1179-1 - ANSI B 1.20.3													
	G 1/2"	41	24,7	67,5	42,5	14	24,5	30	27	QRC-HUS-12-F-G08-BT-W3	35,83	QRC-HUS-12-M-G08-B-W3	9,56
		1,61	.97	2,66	1,67	.55	.96	1,18	1,06		78,99		21,08

**HUS**
**Series HUS-19 • BG 4 • Nominal Size 19**

Port A	Dimensions ( <sup>mm</sup> / <sub>in</sub> )									Female Body Ordering Codes	Weight (*9 <sub>lbs</sub> ) ca. per 100	Male Tip Ordering Codes	Weight (*9 <sub>lbs</sub> ) ca. per 100
	ØE	ØF	L1	L2	L4 min	L5	SW1	SW2					
Female Thread according to DIN 3852 - ISO 1179-1 - ANSI B 1.20.3													
	G 3/4"	52	32,7	76,4	47	18	28,5	38	36	QRC-HUS-19-F-G12-BT-W3	62,09	QRC-HUS-19-M-G12-B-W3	19,34
		2,05	1,29	3,01	1,85	.71	1,12	1,50	1,42		136,89		42,64

**Series HUS-25 • BG 6 • Nominal Size 25**

Port A	Dimensions ( <sup>mm</sup> / <sub>in</sub> )									Female Body Ordering Codes	Weight (*9 <sub>lbs</sub> ) ca. per 100	Male Tip Ordering Codes	Weight (*9 <sub>lbs</sub> ) ca. per 100
	ØE	ØF	L1	L2	L4 min	L5	SW1	SW2					
Female Thread according to DIN 3852 - ISO 1179-1 - ANSI B 1.20.3													
	G 1"	62	40,9	92,4	56,5	20	35	45	45	QRC-HUS-25-F-G16-BT-W3	102,41	QRC-HUS-25-M-G16-B-W3	35,97
		2,44	1,61	3,64	2,22	.79	1,38	1,77	1,77		225,78		79,30

Note: The connection of the two halves of a coupling is achieved depending on the type. It is important to observe the positive engagement of plug-type couplings and the secure tightening of screw-type couplings to the limit stop of the thread. Forced or improper separation will result in malfunction of the coupling.

