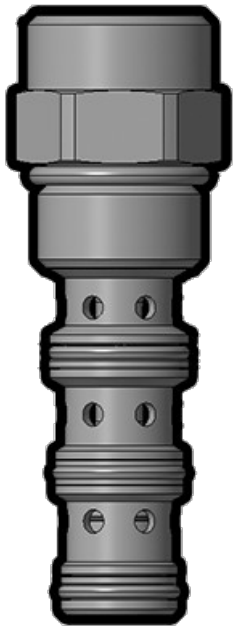




## Overview



### Description

The EC10-40 is a screw-in cartridge style, pressure compensating element, intended for use with a remote fixed or variable orifice to yield a three port (bypass type), pressure compensated, flow regulating hydraulic valve.

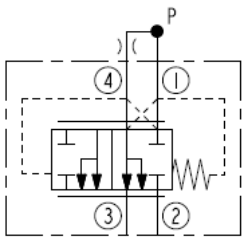
### Operation

The EC10-40 maintains a constant flow rate from port 3 regardless of load pressure changes in the circuit downstream of port 3. The EC10-40 is a priority type valve, delivering pump flow first to port 3 then bypassing excess to port 2. All ports may be fully pressurized.

### Features

- Hardened parts for long life.
- Quiet, modulated response.
- Industry-common cavity.

## Symbol



## Ratings

### Pressure Ratings

Pressure rating	241 bar (3500 psi)
Proof pressure	345 bar (5000 psi)
Burst pressure	896 bar (13000 psi)

### Flow Ratings

Flow rating	57 lpm (15 gpm)	- <b>Note:</b> Maximum input flow
	38 lpm (10 gpm) (spring)	- <b>Note:</b> Maximum regulated flow (with 11 bar (160 psi) spring)

### Temperature Ratings

Operating fluid temperature	-40 to 100 °C (-40 to 212 °F)	- <b>Note:</b> With buna N seals
	-26 to 204 °C (-15 to 400 °F)	- <b>Note:</b> With viton seals
	-54 to 107 °C (-65 to 225 °F)	- <b>Note:</b> With polyurethane seals
Storage temperature	-40 to 70 °C (-40 to 160 °F)	
Ambient temperature	-40 to 90 °C (-40 to 160 °F)	

## Operating Parameters

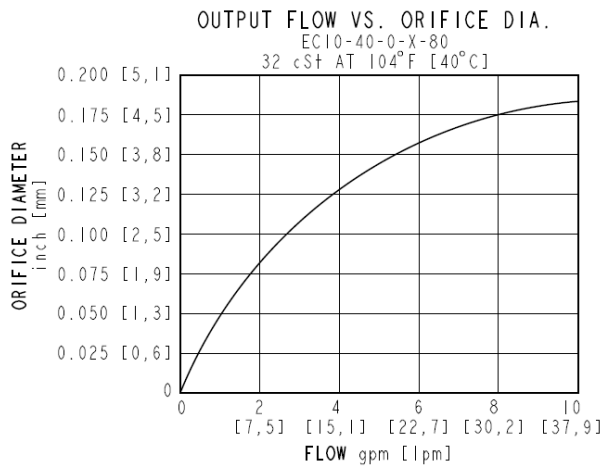
Fluids	Mineral based or synthetic hydraulic fluid with lubricating properties
--------	--



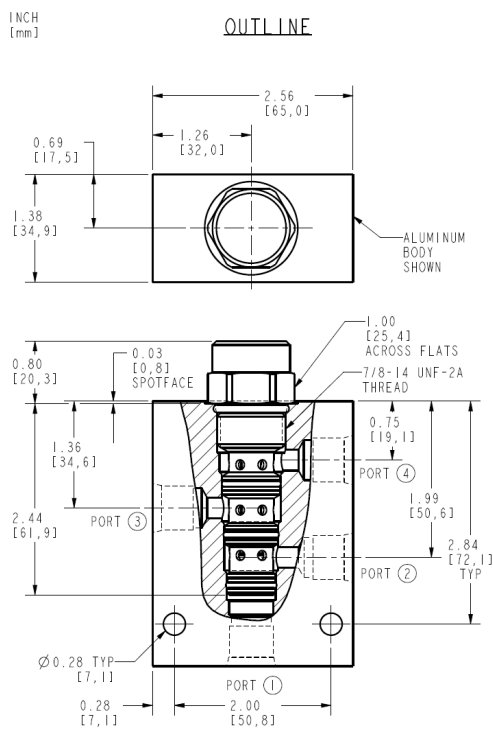
## Properties

Unit weight	0.15 kg (0.39 lb)
Internal wetted surface area	157 cm <sup>2</sup> (24.3 in <sup>2</sup> )

## Performance



## Dimensions



ALL DIMENSIONS ARE FOR REFERENCE ONLY.

## Installation Specifications

Cavity	VC10-4
Cartridge installation torque	45 to 50 N-m (33 to 37 ft-lb)
Orientation restriction	None

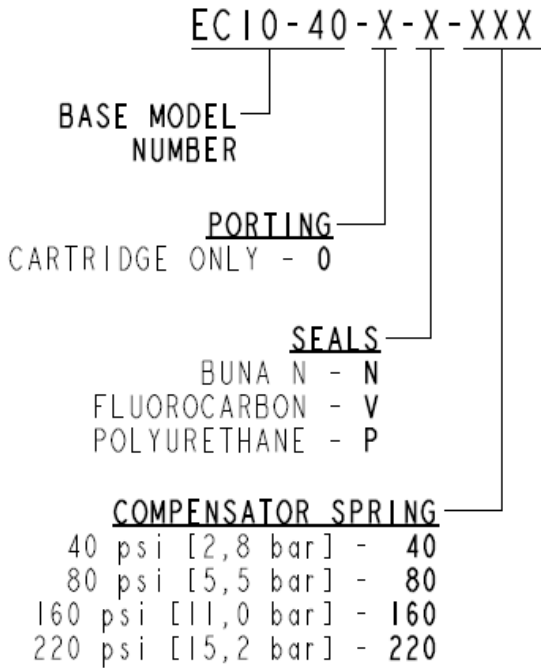
## Accessories

Seal kit	SK10-4X-TMB	- <b>Note:</b> X = seal option
----------	-------------	--------------------------------



**Order Code**

ORDERING INFORMATION:



**Model Options**

**EC10-40-H-J-R**

**H Line Body**

CODE	DESCRIPTION
0	No Body
6T	Aluminum SAE 6
8T	Aluminum SAE 8
6TD	Ductile Iron SAE 6

**J Seal**

CODE	DESCRIPTION
N	Buna-N
V	Fluorocarbon
P	Polyurethane
U	PPDI Urethane

**R Compensator Spring**

CODE	DESCRIPTION
40	40 Compensator Spring
80	80 Compensator Spring
160	160 Compensator Spring