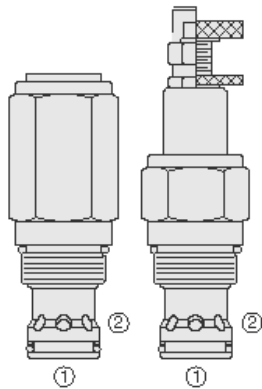




Overview



Description

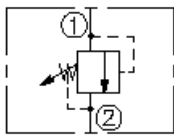
RV16-26X is a screw in, cartridge style, pilot operated (two stage), spool type relief valve, intended for use as a pressure limiting device in demanding hydraulic circuits which require fast response and low hysteresis

Operation

The RV16-26X blocks flow from port 1 to port 2 until sufficient pressure is present at port 1 to force the piloting relief off its seat, allowing the main (second stage) spool to shift, opening port 1 to port 2

note: this valve cannot be used in cross-over relief applications

Symbol



Ratings

Pressure Ratings

Pressure rating	275.8 bar (4000 psi)	
Proof pressure	620.5 bar (9000 psi)	
Burst pressure	1275.5 bar (18500 psi)	
Crack pressure defined	Pressure evident at 7.6 lpm (2 gpm)	
Reseat pressure	Nominal 90% of crack	
Relief pressure range	27.6 to 344.7 bar (140 to 3500 psi)	- Note: From zero to maximum control current

Flow Ratings

Flow rating	302.8 lpm (80 gpm)	- Note: At max pressure
Maximum internal leakage	114.7 ml/min (7 in ³ /min) below 137.9 bar (2000 psi)	- Note: At port 2 at 85% of crack pressure. Pressure setting
	491.6 ml/min (30 in ³ /min) above 137.9 bar (2000 psi)	- Note: At port 2 at 85% of crack pressure. Pressure setting

Temperature Ratings

Operating fluid temperature	-40 to 100 °C (-40 to 212 °F)	- Note: With buna N seals
	-26 to 204 °C (-15 to 400 °F)	- Note: With fluorocarbon seals
	-54 to 107 °C (-65 to 225 °F)	- Note: With polyurethane seals
Storage temperature	-40 to 70 °C (-40 to 160 °F)	
Ambient temperature	-40 to 70 °C (-40 to 160 °F)	

Operating Parameters

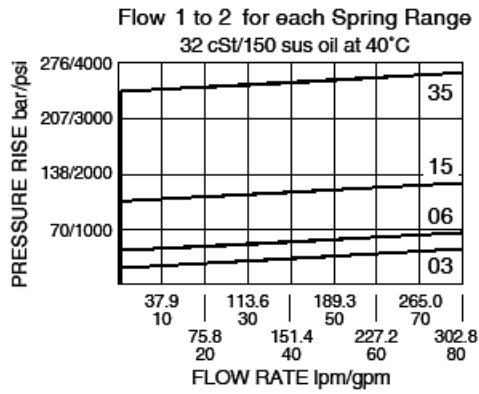
Fluids	Mineral based or synthetic with lubricating properties
Fluid viscosity range	7.4 to 420 cSt
Maximum operating contamination level	18/16/13 per ISO 4406

Properties

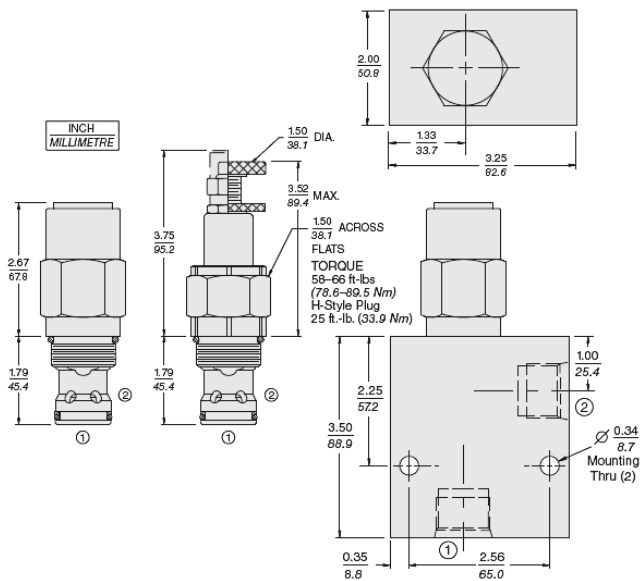
Unit weight	0.58 kg (1.28 lb)	- Note: A
	0.61 kg (1.34 lb)	- Note: B
	0.63 kg (1.38 lb)	- Note: C I
	0.71 kg (1.56 lb)	- Note: F h
Internal wetted surface area	273 cm ² (42.3 in ²)	- Note: A b c I
	308 cm ² (47.7 in ²)	- Note: F h



Performance



Dimensions



Installation Specifications

Cavity	VC16-2
Cartridge installation torque	62.7 to 73.4 N-m (46 to 54 ft-lb)
H style plug torque	33.9 N-m (25 ft-lb)
Orientation restriction	None

Accessories

Seal kit	SK16-2X-B	- Note: X=seal options
Housings		



Order Code

POSITION	CODE	DESCRIPTION
		RV16-26F-H-J-R/S
F		Adjustment Option
F	A	1/4" Hex Allen Head
F	B	1-1/2" Diameter Aluminum Knob with Aluminum Lock Knob
F	C	1/4" Hex Allen Head with Cover Cap
F	F	Factory Preset Non-Adjustable
F	H	Factory Preset Hidden Adjustment
F	L	1/4" Hex Allen Head with Cover Cap and Lockwire Holes
H		Line Body
H	0	No Body
H	12T	Aluminum SAE 12
H	16T	Aluminum SAE 16
H	12TD	Ductile Iron SAE 12
H	16TD	Ductile Iron SAE 16
H	6B	Aluminum BSPP 3/4" (6)
H	8B	Aluminum BSPP 1" (8)
H	8BD	Ductile Iron BSPP 1" (8)
J		Seal
J	N	Buna-N
J	V	Fluorocarbon
J	P	Polyurethane
J	U	PPDI Urethane
R		Spring
R	03	27.6 to 344.7 bar (140 to 300 psi) Spring Range
R	06	27.6 to 344.7 bar (230 to 600 psi) Spring Range
R	15	27.6 to 344.7 bar (530 to 1500 psi) Spring Range
R	35	27.6 to 344.7 bar (1200 to 3500 psi) Spring Range
S		Setting
S	MXXX	Spring Setting in XXX bar
S	XX	Spring Setting in XX psi (x 100)

