



TECHNICAL CATALOGUE

STRAINERS



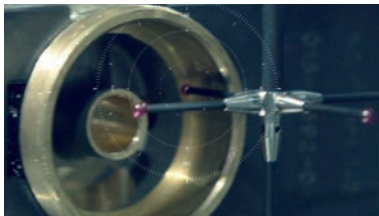
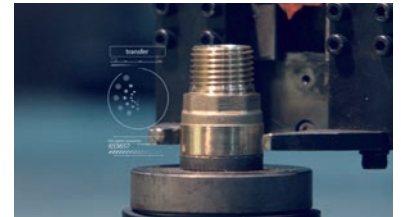
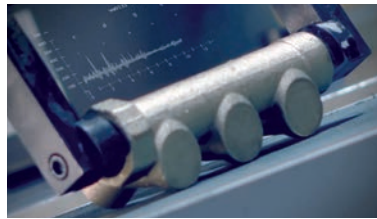
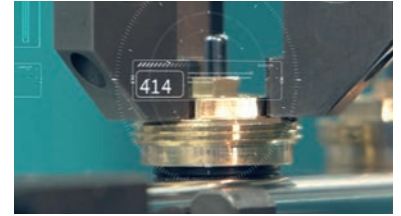
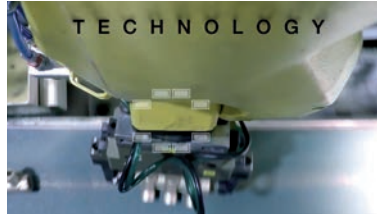
1/4" - 2": 500µm
2"1/2 - 4": 800µm

> THE COMPANY

ITAP SpA, founded in Lumezzane (Brescia) in 1972, is currently one of the leading production companies in Italy of **valves, fittings and distribution manifolds** for plumbing and heating systems.

Thanks to a fully automated production process, with 85 transfer machines and 55 assembly lines, it is capable of producing 400,000 pieces per day.

Our innate pursuit for innovation and observance of technical regulations is supported by the company certification ISO 9001. The company has always considered its focus on quality as the main tool to obtain significant business results: today ITAP SpA is proud to offer products bearing the approval of numerous international certifying bodies.



> ITAP products have obtained approvals by more than 30 certification bodies from all over the world.



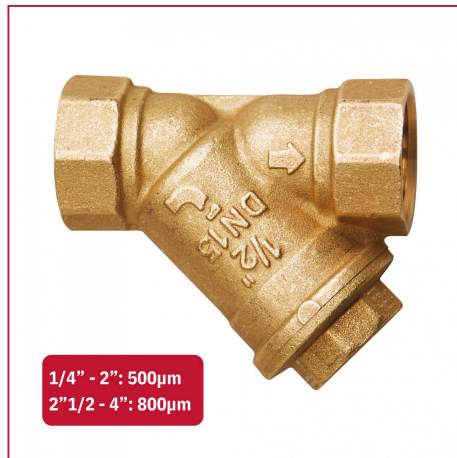


STRAINERS

192 Y strainer

Suitable for domestic water services, heating and air-conditioning plants.

Y STRAINER



1/4" - 2": 500µm
2"1/2 - 4": 800µm

MEASURE	PRESSURE	CODE	PACKING
1/4" (DN 8)	20bar/290psi	1920014	20/160
3/8" (DN 10)	20bar/290psi	1920038	20/160
1/2" (DN 15)	20bar/290psi	1920012	20/160
3/4" (DN 20)	20bar/290psi	1920034	10/80
1" (DN 25)	20bar/290psi	1920100	7/56
1"1/4 (DN 32)	20bar/290psi	1920114	4/32
1"1/2 (DN 40)	20bar/290psi	1920112	2/18
2" (DN 50)	20bar/290psi	1920200	2/10
2"1/2 (DN 65)	16bar/232psi	1920212	1/7
3" (DN 80)	16bar/232psi	1920300	1/6
4" (DN 100)	16bar/232psi	1920400	1/2

CERTIFICATIONS



TECHNICAL SPECIFICATIONS

Female/female threads and inspection plug.

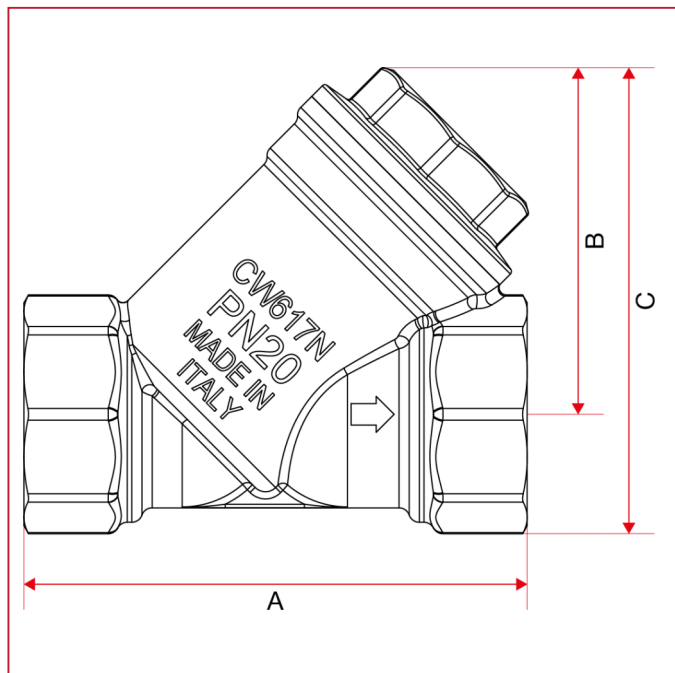
Body in brass.

Minimum and maximum working temperatures: -20°C, 110°C in absence of steam.

Threads: ISO 228 (equivalent to DIN EN ISO 228 and BS EN ISO 228).

Filtration degree: 1/4" through 2": 500µm; 2"1/2 through 4": 800µm

OVERALL DIMENSIONS

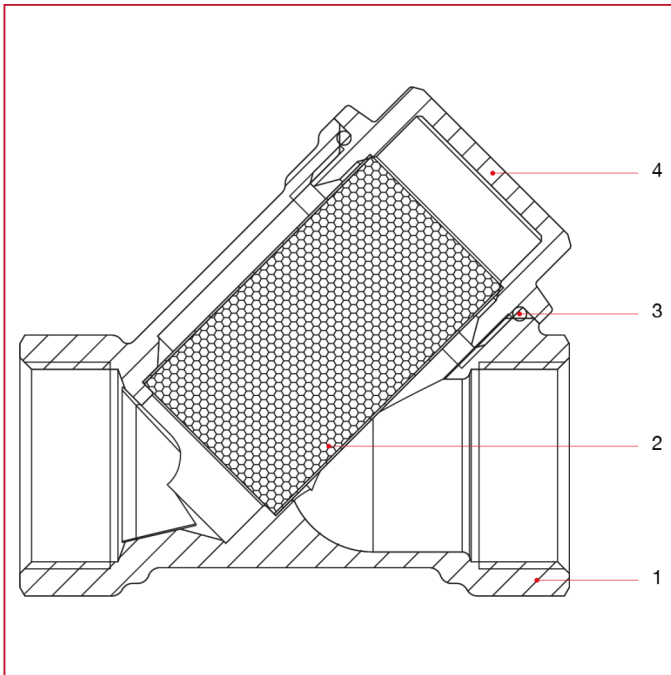




STRAINERS

	1/4"	3/8"	1/2"	3/4"	1"	1"1/4	1"1/2	2"	2"1/2	3"	4"
DN	8	10	15	20	25	32	40	50	65	80	100
A	55	55	58	70	87	96	106	126	150	169	219
B	40	40	40	48	56	64	73	88,5	105	119	162
C	49,4	51	53	65,4	76	88	100	122	147	169	225
Kg/cm2 bar	20	20	20	20	20	20	20	20	16	16	16
LBS - psi	290	290	290	290	290	290	290	290	232	232	232

MATERIALS sizes 1/4" through 2"

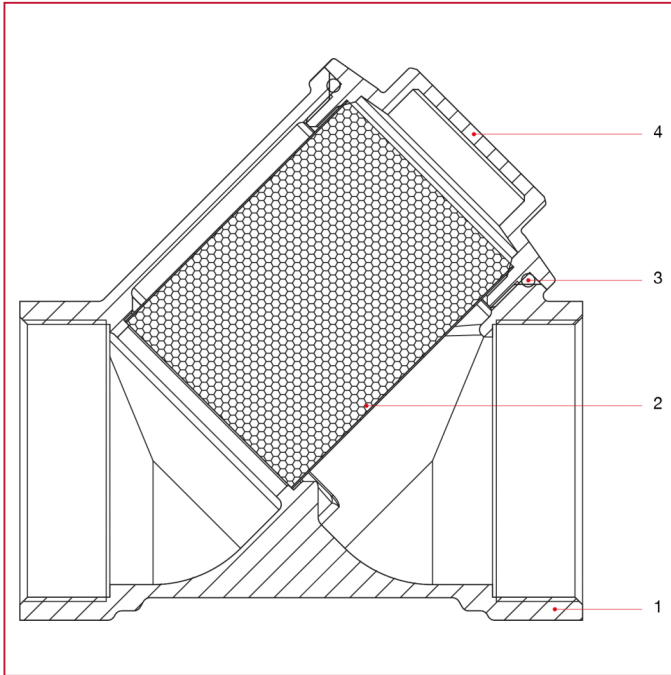


POS.	DESCRIPTION	N.	MATERIAL
1	Body	1	Brass CW617N
2	Strainer	1	Stainless steel AISI 304
3	O-ring	1	NBR
4	End adapter	1	Brass CW617N



STRAINERS

MATERIALS sizes 2"1/2 through 4"



POS.	DESCRIPTION	N.	MATERIAL
1	Body	1	Brass CB753S
2	Strainer	1	Stainless steel AISI 304
3	O-ring	1	NBR
4	End adapter	1	Brass CW617N



STRAINERS

INSTRUCTIONS FOR INSTALLATION, MAINTENANCE AND USE - Y Strainer

INSTALLATION

The Y strainer with metal mesh was designed to prevent solid impurities from entering pipes where they can build up and thus reduce the flow, resulting in greater head losses and oxidation-related problems.

The strainer must be installed upstream of all the system components that can get damaged or lose efficiency due to the presence of impurities.

It is advisable to install shut-off valves both upstream and downstream of the strainer, to facilitate the latter's maintenance.

The filter is normally installed on the inlet to the water supply line before the check valves and the pressure reducers.

For improved filtering efficiency and trapping of solid impurities, the filter body should be installed on horizontal pipes with the cap facing downwards.

For the installation normal hydraulic practices must be used, and especially:

- ones have to be sure that the two pipes are correctly aligned;
- if the fluid contains impurities (dirt, dust, excessive water hardness), these must be removed or filtered out. The hydraulic circuit must be clean;
- when making the plumbing connections, be careful to avoid excessive mechanical stress on the threading and/or fittings in general: over time these may break and cause leakages, which may damage objects and/or harm people;
- it is forbidden to use the device for any purpose other than its intended use;
- if the device is coupled with other components of the system, this must be done by taking into account the operating characteristics of both: incorrect coupling could jeopardise the operation of the device and/or system;
- make sure that the fluid flows in the direction of the arrow printed on the valve body.

DISASSEMBLY

To deinstall the devices from the line or, nonetheless, before unscrewing the couplings connected to them:

- wear the protective clothing normally required for working with the fluid contained in the line;
- depressurize the line and operate in this way:
- during dismantling, apply the spanner to the end of the filter nearest to the pipe;

MAINTENANCE

Impurity collectors require regular maintenance for cleaning the stainless steel filtering element and eliminating any impurities deposited inside the cap.

To perform these operations:

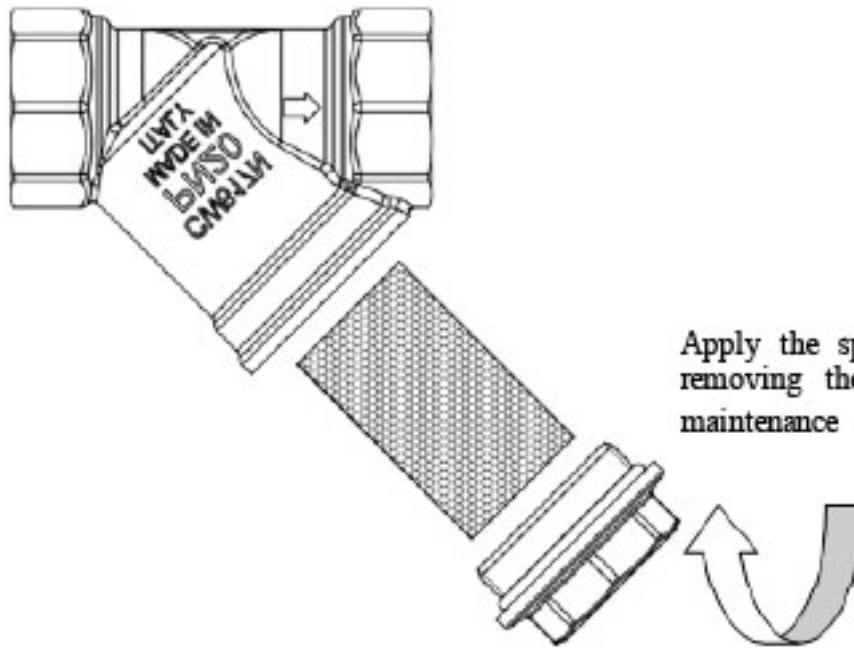
- carefully unscrew the blind cap;
- extract the stainless steel filter and clean it with water or compressed air;
- mount it back on by slotting it into the relevant cap housing for optimal positioning, taking care to ensure that the seal and/or O-ring between the body and the cap are properly positioned.

WARNINGS

- 1 flow manifold in nickel-plated brass with flow meter
- all installations should be performed in accordance with existing local installation regulations and codes of practice where they exist;
- it is mandatory to follow the instructions supplied by the filter manufacturer and by the plant manufacturer, including those specifying how to properly position the filter connection.



STRAINERS

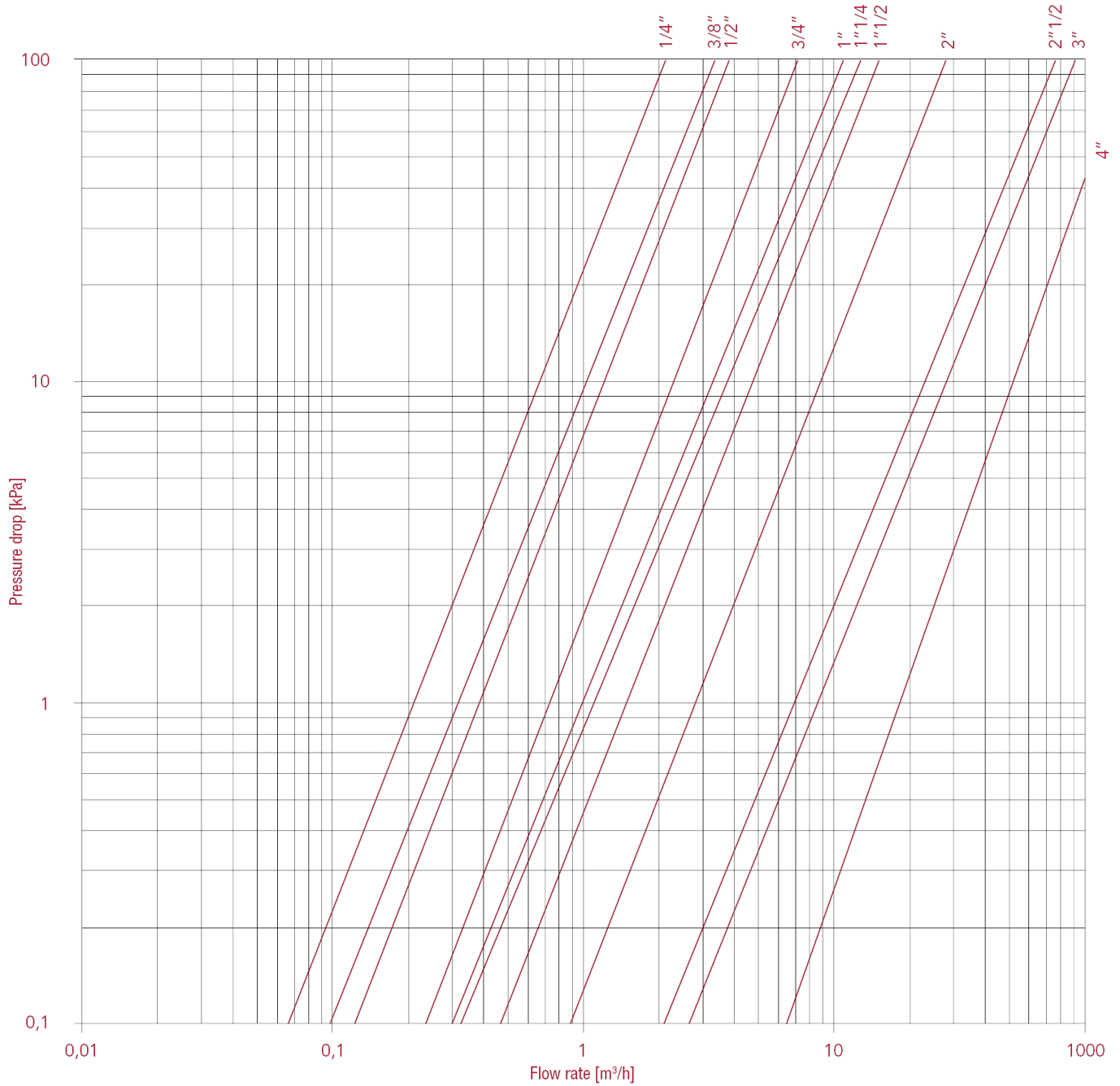




STRAINERS

LOSS DIAGRAM (With water)

	1/4"	3/8"	1/2"	3/4"	1"	1"1/4"	1"1/2"	2"	2"1/2"	3"	4"
KV	2,20	3,40	3,80	7,20	11	13	15	28	77	93	146





STRAINERS

PRESSURE-TEMPERATURE DIAGRAM

The values shown by the dropping lines state the maximum limit of employment of the valves.
The shown values are approximate.

