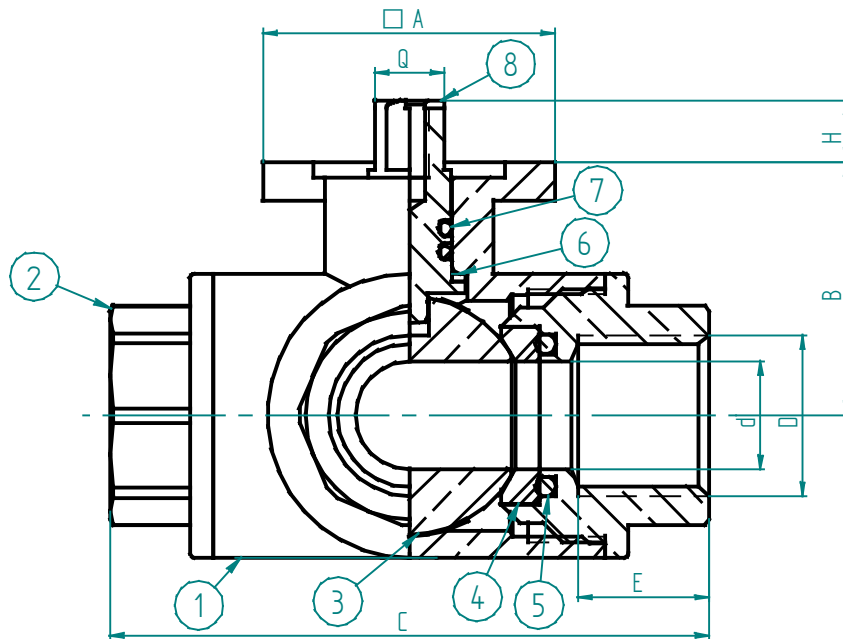


ART. 173 BALL VALVE 3-WAY T-SHAPED

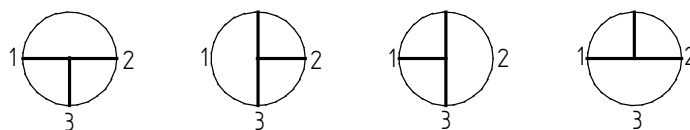


POS.	DESCRIPTION	TREATMENT	MATERIAL	NORME	Q.TY
1	Body hot pressed brass	Chrome plated	CW617N	UNI EN 12165	1
2	Nipple hot pressed brass	Chrome plated	CW617N	UNI EN 12165	3
3	Ball	Chrome plated	CW617N	UNI EN 12165	1
4	P.T.F.E. Ring	/	P.T.F.E.	BS6564	4
5	Oring	/	FKM 70SH	EN 549	4
6	Washer	/	P.T.F.E.	BS6564	1
7	Oring	/	FKM 70SH	EN 549	2
8	Stem	Nickel plated	CW614N	UNI EN 12164	1

D	¼ö	3/8ö	½ö	¾ö	1ö	1ö1/4	1ö1/2	2ö			
d	10	10	14	19	24	30	38	48			
A	38 x 38	38 x 38	38 x 38	50 x 50	50 x 50	50 x 50	70 x 70	70 x 70			
B	30	30	33	42	47	52	70	79.5			
C	65	65	78	87	105	118	134	161			
E	15	15	17	18	21	23.5	23.5	27.5			
H	10	10	10	12	12	12	16	16			
Q	9 x 9	9 x 9	9 x 9	11 x 11	11 x 11	11 x 11	14 x 14	14 x 14			
Drilling	F03	F03	F03	F05	F05	F05	F07	F07			
Weight gr	415	385	565	880	1470	1990	3640	6150			

ISO 5211 MOUNTING PAD

POSITION:



PRESSURE RANGE

1/4" ÷ 3/4"	30 bar
1" ÷ 1 1/4"	20 bar
1 1/2" ÷ 2"	16 bar

TORQUE MOMENT

1/4" ó 3/8"	3 Nm
1/2"	4 Nm
3/4"	10 Nm
1" ó 1 1/4"	13 Nm
1 1/2"	20 Nm
2"	25 Nm

Specification

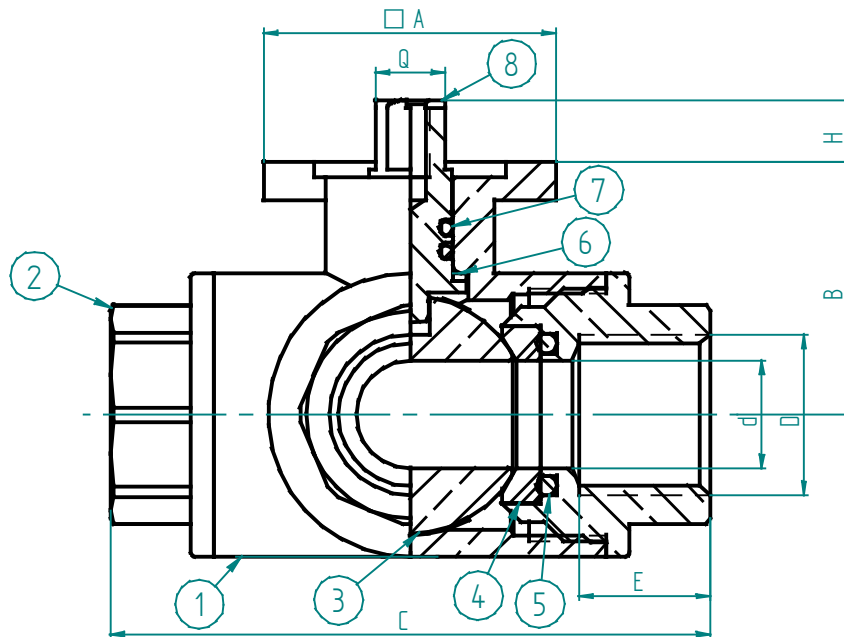
Installation: assembling in rigid pipework, for industrial, pneumatic and hydraulic
Installation, etc.

Orifice: from 10 mm to 48 mm

Temperature range: -20°C + 120°C

Thread ends: Gas UNI ISO 228

ART. 174 BALL VALVE 3-WAY L-SHAPED

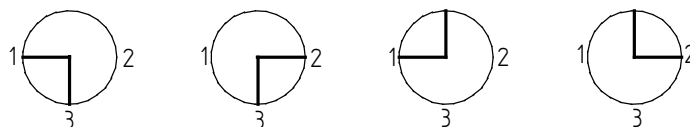


POS.	DESCRIPTION	TREATMENT	MATERIAL	NORME	Q.TY
1	Body hot pressed brass	Chrome plated	CW617N	UNI EN 12165	1
2	Nipple hot pressed brass	Chrome plated	CW617N	UNI EN 12165	3
3	Ball	Chrome plated	CW617N	UNI EN 12165	1
4	P.T.F.E. Ring	/	P.T.F.E.	BS6564	4
5	O-ring	/	FKM 70SH	EN 549	4
6	Washer	/	P.T.F.E.	BS6564	1
7	O-ring	/	FKM 70SH	EN 549	2
8	Stem	Nickel plated	CW614N	UNI EN 12164	1

D	¼ö	3/8ö	½ö	¾ö	1ö	1ö1/4	1ö1/2	2ö			
d	10	10	14	19	24	30	38	48			
A	38 x 38	38 x 38	38 x 38	50 x 50	50 x 50	50 x 50	70 x 70	70 x 70			
B	30	30	33	42	47	52	70	79.5			
C	65	65	78	87	105	118	134	161			
E	15	15	17	18	21	23.5	23.5	27.5			
H	10	10	10	12	12	12	16	16			
Q	9 x 9	9 x 9	9 x 9	11 x 11	11 x 11	11 x 11	14 x 14	14 x 14			
Drilling	F03	F03	F03	F05	F05	F05	F07	F07			
Weight gr	420	390	570	895	1485	2050	3730	6290			

ISO 5211 MOUNTING PAD

POSITION:



PRESSURE RANGE

1/4" ÷ 3/4"	30 bar
1" ÷ 1 1/4"	20 bar
1 1/2" ÷ 2"	16 bar

TORQUE MOMENT

1/4" ó 3/8"	3 Nm
1/2"	4 Nm
3/4"	10 Nm
1" ó 1 1/4"	13 Nm
1 1/2"	20 Nm
2"	25 Nm

Specification

Installation: assembling in rigid pipework, for industrial, pneumatic and hydraulic
Installation, etc.

Orifice: from 10 mm to 48 mm

Temperature range: -20°C + 120°C

Thread ends: Gas UNI ISO 228