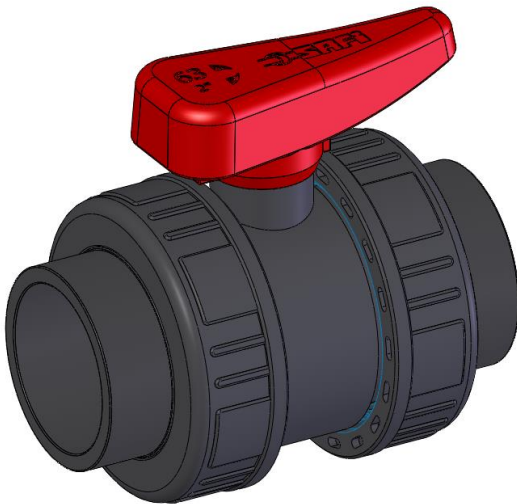
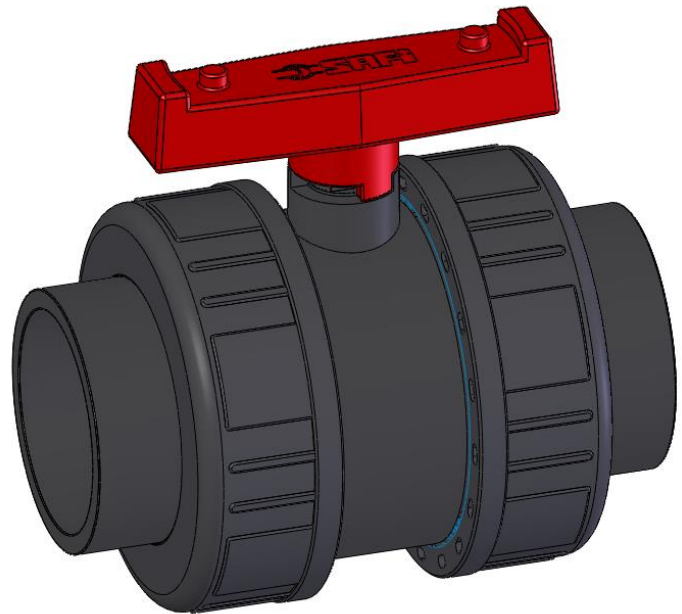


2-Way – DOUBLE UNION – BALL VALVE

DN15 (1/2") to DN100 (4") - PVC-U



DN50 – PVC-U



DN100 – PVC-U

MAIN FEATURES

- Full Bore.
- PTFE Seats.
- Seals under the seats and 2 seals on spindle for an optimal sealing.
- Not suitable for Actuation or locking system
- Numerous Certificates for Water Treatment (ACS, WRAS, NSF, MARINE).

STANDARDS & APPROVALS



DGS/SD7A N°571 : Circular on the terms and conditions for the verification of the sanitary conformity of the constituent materials of accessories or subassembly accessories, consisting of organic elements in contact with water intended for human consumption (Food Grade Approval)



BS 6920:2014: Suitability of non-metallic products for use in contact with water intended for human consumption with regard to their effect on the quality of water. Methods of test. Growth of aquatic micro-organisms test (WRAS Approval)



NR320 : Certification scheme of materials and equipment for the classification of marine units



Standard NSF/ANSI 61 « Drinking water systems components - Health effects » (health effects of drinking water circuit components). NSF / ANSI Standard 61 establishes minimum health effects requirements for the chemical contaminants and impurities that are indirectly imparted to drinking water from products, components, and materials used in drinking water systems.

Les descriptions et caractéristiques figurant sur ce document sont données uniquement à titre d'information et non d'engagement contractuel. SAFI se réserve le droit d'effectuer sans préavis, toute modification.

SAFI has a policy of continuously developing its product range and the above data is subject to change without prior notification.

Die Beschreibungen und Daten, die sich auf diesem Dokument befinden, sind rein informativ und unverbindlich. SAFI behält sich vor, ohne Vorankündigung Änderungen vorzunehmen, die als technisch notwendig erachtet werden.

Las descripciones y características que figuran en este documento son indicativas. En ningún caso son contractuales. SAFI se reserva el derecho sin previo aviso de efectuar cualquier modificación.

SAFI

Av. Jacques Moison – BP 1
26770 TAULIGNAN
FRANCE
Tél.: (+33) 4 75 53 56 29
Fax : (+33) 4 75 53 62 78
info@safi-valves.com

SAFI Limited

35 Holton Road
Holton Heath Trading Park
POOLE Dorset - BH16 6LT
UNITED KINGDOM
Tél.: (+44) 1202 624618
Fax : (+44) 1202 628500
sales@safi-valves.com

SAFI Deutschland

Kunststoffarmaturen
Vertriebs GmbH
Jahnstrasse 29
64319 PFUNGSTADT
DEUTSCHLAND
Tél. : (+49) 61 57 81 919
Fax : (+49) 61 57 82 025
info-deutschland@safi-valves.com

SAFI Fabrica de Valvulas

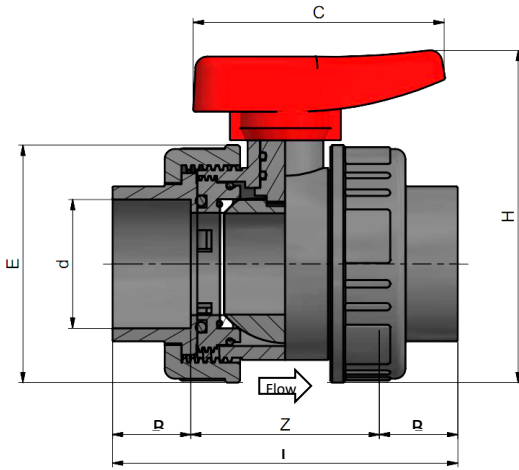
C/ Carboners, 35
Pol. Ind. La Cometa
43700 EL VENDRELL
TARRAGONA-ESPAÑA
Tel.: (+34) 977 665 147
Fax : (+34) 977 664 989
info@safi-valvulas.com

SAFI America

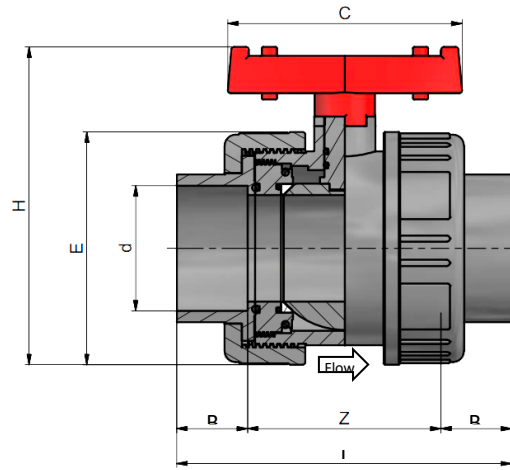
Las Garzas Trade Center
Las Garzas #950, B
Quilicura
SANTIAGO – CHILE
Tél.: (+56 2) 2 510 3500
Fax : (+56 2) 2 510 3507
info@safi-america.com

DIMENSIONS

Version with PVC-U metric plain socket



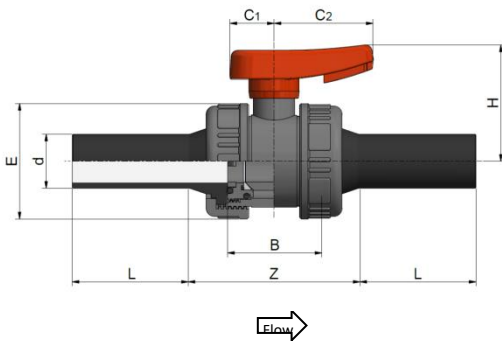
DN15 to DN50



DN65 to DN100

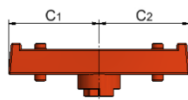
DN	d	L	B	Z	E	H	C	Weight (Kg)
15	16	78	16	46	49	74	64	0,14
15	20	78	16	46	49	74	64	0,14
20	25	92	19	54	60	88	74	0,2
25	32	105	22	61	69	103	86	0,3
32	40	121	26	69	80	116	98	0,45
40	50	141	31	79	96	139	111	0,69
50	63	169	38	93	116	162	125	1,15
65	75	228	44	140	167	228	169	3,1
80	90	241	51	139	167	228	169	3,25
100	110	284	61	162	209	274	204	5,5

Version with PE-HD metric plain socket



DN15 to DN50

DN	d	L	Z	B	H	C1	C2	E	Weight (Kg)
15	20	45	85	44	50	22	42	49	0,152
20	25	50	100	49	58	24	49	60	0,202
25	32	70	103	56	69	26	59	69	0,330
32	40	60	116	62	76	32	65	80	0,472
40	50	65	134	73	92	40	71	96	0,750
50	63	75	166	87	104	45	79	116	1,288
65	75	95	195	130	145	84,5	84,5	167	3,256
80	90	97	210	130	145	84,5	84,5	167	3,536
100	110	110	238	152	170	102	102	209	5,740



DN65 to DN100

Les descriptions et caractéristiques figurant sur ce document sont données uniquement à titre d'information et non d'engagement contractuel. SAFI se réserve le droit d'effectuer sans préavis, toute modification.

SAFI has a policy of continuously developing its product range and the above data is subject to change without prior notification.

Die Beschreibungen und Daten, die sich auf diesem Dokument befinden, sind rein informativ und unverbindlich. SAFI behält sich vor, ohne Vorankündigung Änderungen vorzunehmen, die als technisch notwendig erachtet werden.

Las descripciones y características que figuran en este documento son indicativas. En ningún caso son contractuales. SAFI se reserva el derecho sin previo aviso de efectuar cualquier modificación.

Operating Torque

DN	OPERATING TORQUE Without load
15	1,5 N.m
20	2 N.m
25	3 N.m
32	5 N.m
40	7 N.m
50	10 N.m
65	24 N.m
80	24 N.m
100	30 N.m

PARTS LIST

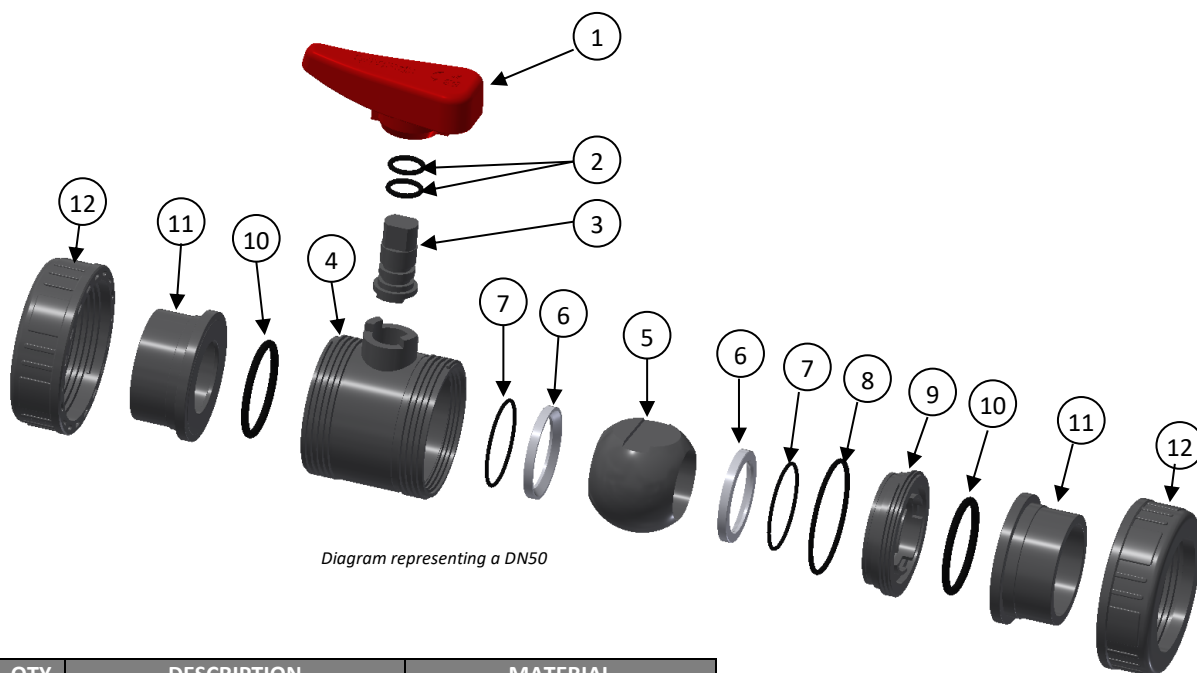


Diagram representing a DN50

N°	QTY	DESCRIPTION	MATERIAL
1	1	HANDLE	ABS
2	2	O-RING	EPDM/FPM
3	1	STEM	PVC-U
4	1	BODY	PVC-U
5	1	BALL	PVC-U
6	2	SEAT	PTFE
7	2	O-RING	EPDM/FPM
8	1	O-RING	EPDM/FPM
9	1	ADJUSTING END	PVC-U
10	2	O-RING	EPDM/FPM
11	2	PVC-U DIN Metric plain socket	PVC-U
12	2	NUT	PVC-U

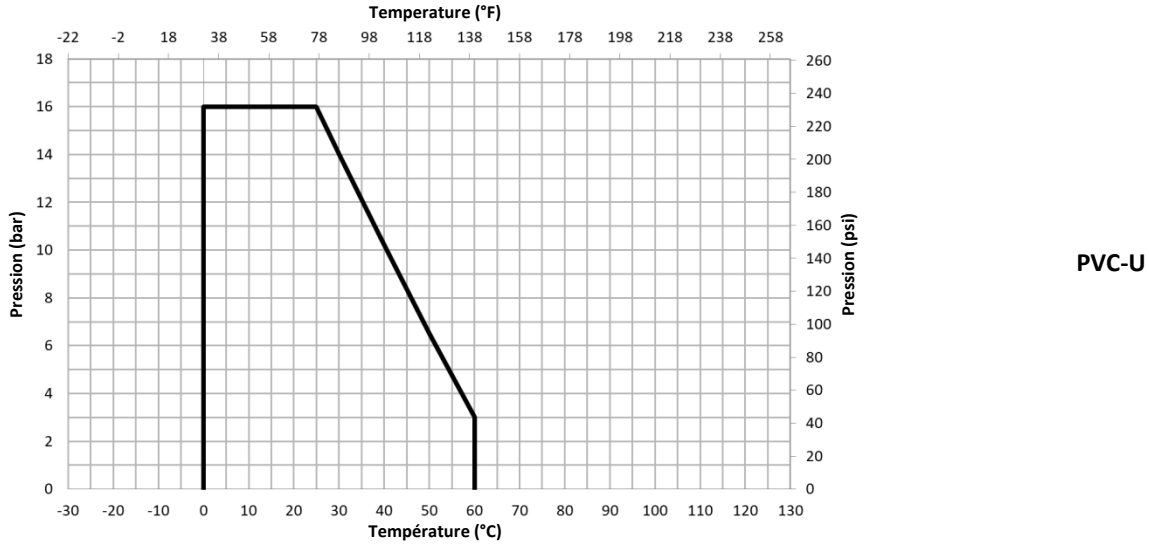
Les descriptions et caractéristiques figurant sur ce document sont données uniquement à titre d'information et non d'engagement contractuel. SAFI se réserve le droit d'effectuer sans préavis, toute modification.

SAFI has a policy of continuously developing its product range and the above data is subject to change without prior notification.

Die Beschreibungen und Daten, die sich auf diesem Dokument befinden, sind rein informativ und unverbindlich. SAFI behält sich vor, ohne Vorankündigung Änderungen vorzunehmen, die als technisch notwendig erachtet werden.

Las descripciones y características que figuran en este documento son indicativas. En ningún caso son contractuales. SAFI se reserva el derecho sin previo aviso de efectuar cualquier modificación.

PRESSURE / TEMPERATURE CURVES



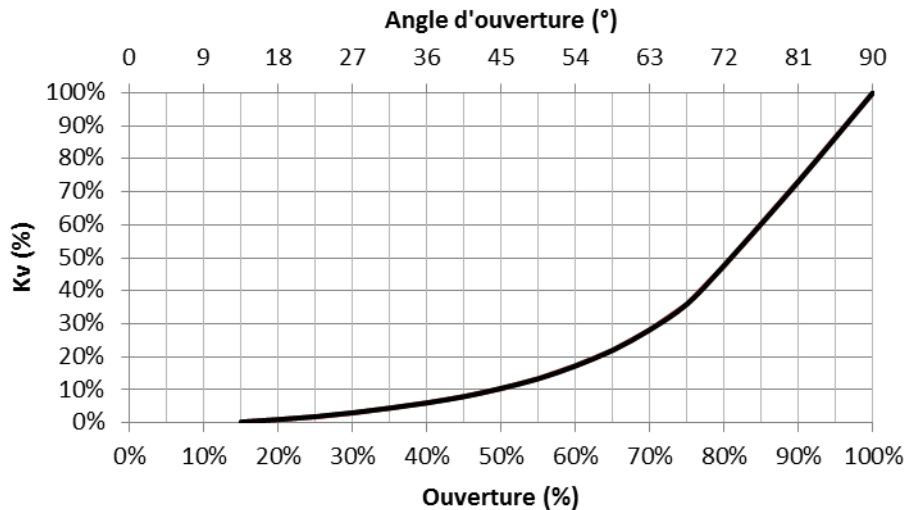
Pressure/Temperature Summary

DN	Type of Seals	Working Pressure	Working Temperature
			PVC-U
DN15 to DN100	EPDM / FPM	16 bars at 20°C	0°C to +60°C

The mechanical characteristics of the FPM and EPDM seals subjected to an ambient temperature below -5°C require the implementation of proper insulation on the valves equipped with such seals. Contact us for more information.

PRESSURE LOSS

DN	Kv (m ³ /h)
15	11
20	23
25	42
32	60
40	102
50	192
65	300
80	420
100	600



Our valves are guaranteed for an average fluid velocity in the pipeline of ≤ 2 m/s. Please contact us with the working conditions for any higher speed.

Les descriptions et caractéristiques figurant sur ce document sont données uniquement à titre d'information et non d'engagement contractuel. SAFI se réserve le droit d'effectuer sans préavis, toute modification.
SAFI has a policy of continuously developing its product range and the above data is subject to change without prior notification.

Die Beschreibungen und Daten, die sich auf diesem Dokument befinden, sind rein informativ und unverbindlich. SAFI behält sich vor, ohne Vorankündigung Änderungen vorzunehmen, die als technisch notwendig erachtet werden.
Las descripciones y características que figuran en este documento son indicativas. En ningún caso son contractuales. SAFI se reserva el derecho sin previo aviso de efectuar cualquier modificación.

CHEMICAL RESISTANCE

The chemical resistance of the valve is subject to the type of fluid, the temperature, the pressure, as well as the materials and seals of the valve.

Please contact us to have a personalized analysis of the resistance of one of our products to a given fluid

You can also consult, for information only, the table given in ISO 10358. However, this table cannot be considered as a recommendation by SAFI who could not be held liable for the use of this document.

DETERMINING A PRODUCT CODE

TYPE	SPECIFICATION	DN	Fitting (Inlet)	Fitting (Outlet)	Seals
4101 = PVC-U Ball Valve	- = Standard Ball Valve	00 = DN15 01 = DN20 02 = DN25 03 = DN32 04 = DN40 05 = DN50 06 = DN65 07 = DN80 08 = DN100	B = PVC-U DIN Metric plain socket Y = PE-HD Metric plain socket	B = PVC-U DIN Metric plain sock Y = PE-HD Metric plain socket	E = EPDM V = FPM

Example: 4101-05BBE

4101	-	05	B	B	E
PVC-U Ball Valve	Standard Ball Valve	DN50	PVC-U DIN Metric plain socket	PVC-U DIN Metric plain socket	EPDM Seals