



Microfine double-acting flow control valves

FT 1237/2

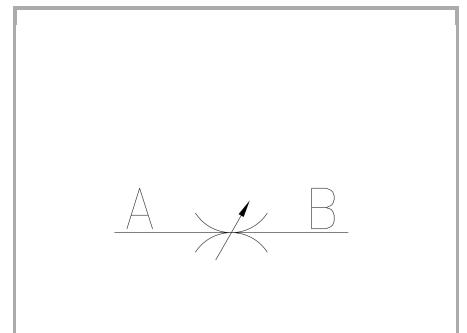
Double-acting flow control valves available only in 1/8" size BSPP. Max. working pressure 210 Bar, adjustable oil flow rate from 0,05 to 2,5 Lt./min.

Double-acting control

In line or panel mounting microfine flow control

Brass OT58 - UNI5705 Nickel Plated

Attacchi: F - F Female - Female



Technical information

Technical description

It is the solution for application requiring special adjustment of small flow rates. It can be used for both hydraulic and pneumatic applications with flow rate up to max. 3 l/min. They can be used also with fluids different from oil, such as: gas and liquids in general. This version has the same characteristics as the series FT 1250 and it keeps its main characteristics: • metallic sealing; • panel mounting provision; • security against accidental needle withdrawal.

Materials

CORPO VALVOLA / BODY VALVE	OT 58-UNI EN 12165
SPILO DI REGOLAZIONE / ADJUSTING NEEDLE	Acciaio/Steel X 10 Cr Ni S 1809-UNI EN 10088-1
GUARNIZIONI / GASKETS	Di serie NBR - A richiesta FPM/Standard NBR-on demand FPM
ANELLI ANTIESTRUSIONE / ANTIEXTRUSION RINGS	PTFE
MANOPOLA TIPO MA / KNOB TYPE MA	GD AISi12 - UNI EN AB 46100
MANOPOLA TIPO MP / KNOB TYPE MP	ABS

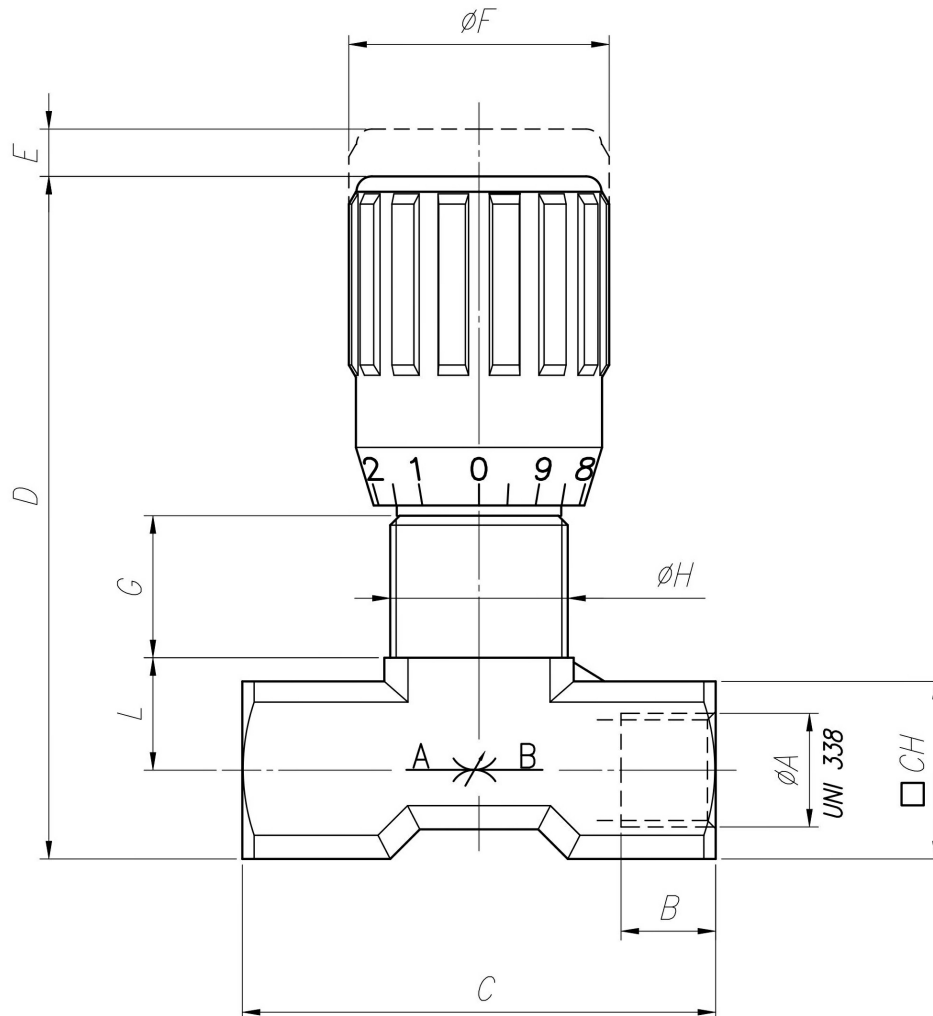
Technical data

TIPO / TYPE	PRESSIONE ESERCIZIO BAR / WORKING PRESSURE BAR	TEMPERATURA ESERCIZIO / WORKING TEMPERATURE	GRADO DI FILTRAZIONE µm / FILTRATION GRADE µm
18	210	-20°C/+100°C	25



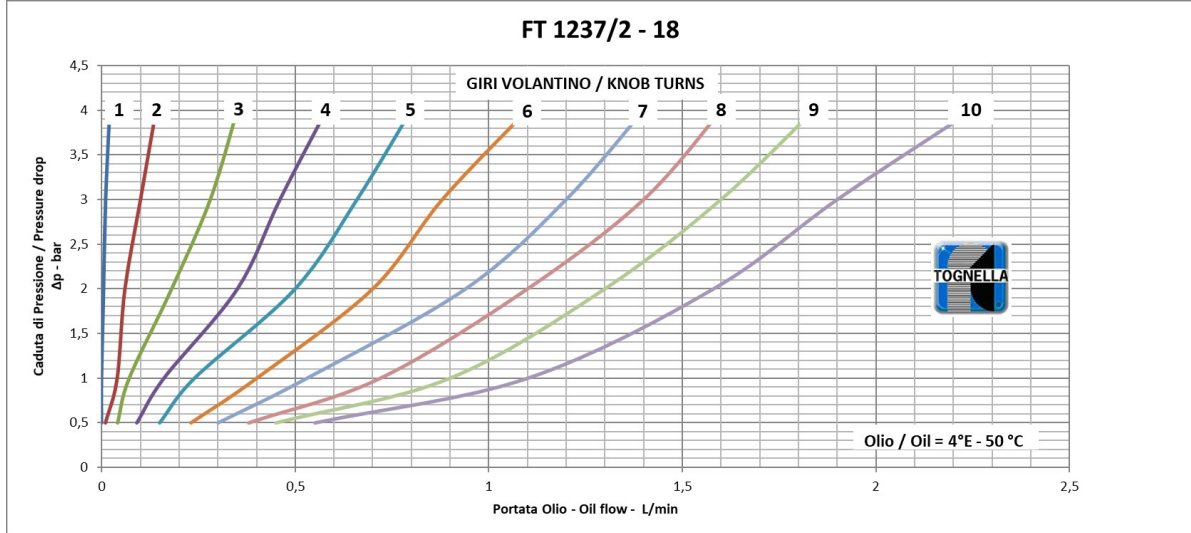
Dimensional tables and drawings

TIPO / TYPE	A UNI 338	B	C	D	E	ϕF	G	H	L	CH	PESO / WEIGHT KG
18	1/8" G	8	40	55	4	22	12	M15x1	9,5	15	0,105





Flow rate curves



a