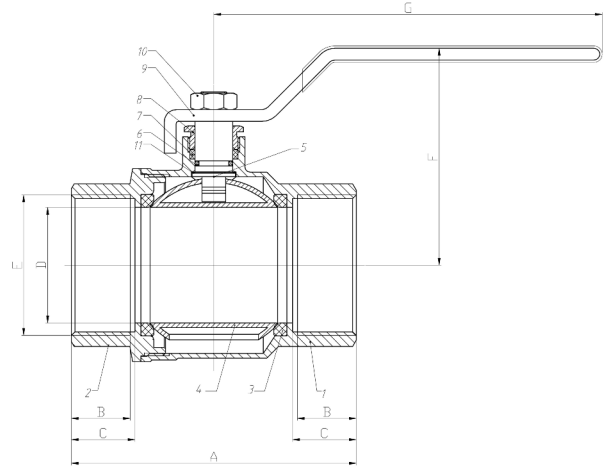


CP90L

Brass Nickel Plated Full Bore Ball Valve c/w Standard Lever



TECHNICAL DESCRIPTION

FUNCTION

Shut-Off

SIZE RANGE

DN65 - DN100 (2 1/2" - 4")

PRESSURE RATING

PN25

TEMPERATURE RANGE

-20°C ~ 120°C (Gas MOP 5 -20 °C ~ 60 °C)

BODY MARKING

DN, PN, Batch Date, CW617N

COLOUR

Handle: Yellow

APPROVALS

N/A

MATERIAL CONSTRUCTION AND SPECIFICATION

- | | |
|--------------|---------------------------------------|
| 1. BODY: | CW617N Brass Nickel Plated |
| 2. BONNET: | CW617N Brass Nickel Plated |
| 3. SEAT: | PTFE |
| 4. BALL: | CW617N Brass Chrome Plated (Polished) |
| 5. STEM: | CW617N Brass Nickel Plated |
| 6. O-RING: | VITON |
| 7. PACKING: | PTFE |
| 8. LOCK NUT: | HPb57-3 Brass |
| 9. HANDLE: | Q235 Chrome Plated and PVC Sleeve |
| 10. NUT: | Stl/Stl (White Zinc Plating) |
| 11. GASKET: | PTFE |

CONNECTION

ISO-7/2000 Rc Taper, ISO-7/2000 Rp Parallel, NPT

DIMENSIONS (mm)

SIZE						2 1/2"	3"	4"
CODE*						CP90L-x065	CP90L-x080	CP90L-x100
A						146	168	199
B						29	34.8	39.6
C						31	36.8	41.6
ØD						60	73	90
E						2 1/2"	3"	4"
F						122	132	143
G						225	225	280
PN						25	25	25
Kv								
WEIGHT(g)						3150	4070	6651
PACKING						1/8	1/6	1/2

*substitute x with P for Parallel, T for Taper and N for NPT

Pressure and temperature ratings are MINIMUM and MAXIMUM values only and actual performance will be dependant upon application. All images on this page are for guidance only. E&OE. We reserve the right to amend or revise specifications, graphics, texts and diagrams without prior notice or reasons being given.